

- EN** Installation, Operation and Maintenance Instructions  
**FR** Instructions d'installation, d'utilisation et d'entretien  
**ES** Instrucciones de instalación, operación y mantenimiento

Crescent Ice Machine  
Machine à glaçons  
Máquina de hielo

**MA15CR**



# CONTENTS

Unpacking your ice machine.....	3
Removing interior packaging.....	3
Warranty Registration.....	3
Installing your ice machine.....	4
Selecting the location.....	4
Cabinet Clearances.....	4
Leveling legs.....	4
Electrical Connection .....	5
Installing the water supply.....	6
Using your ice machine.....	7
Turning on your ice machine.....	7
Ice machine operation.....	7
Product dimensions .....	8
Care and Cleaning.....	10
Cabinet .....	10
Interior .....	10
Defrosting instructions.....	10
Energy Saving Tips .....	10
Door alignment .....	11
Obtaining Service.....	11
Troubleshooting Guide.....	12
Household Product Warranty.....	14

## Important Safety Instructions

Warnings and safety instructions appearing in this guide are not meant to cover all possible conditions and situations that may occur. Common sense, caution, and care must be exercised when installing, maintaining, or operating this appliance.

## Recognize Safety Symbols, Words, and Labels.



### WARNING

**WARNING**-Hazards or unsafe practices with high probability of personal injury or property / product damage.



### CAUTION

**CAUTION**-Hazards or unsafe practices which could result in personal injury or property or product damage.

### NOTE

**NOTE**-Important information to help assure a problem free installation and operation.



**AGA MARVEL** is committed to building a quality product in an environmentally friendly manner. Our processes are tightly controlled and closely monitored. We have achieved certifications in ISO 9001 for quality assurance, ISO 14001 for environmental management, and OHSAS 18001 for occupational health and safety from Lloyd's Register Quality Assurance.

# UNPACKING YOUR ICE MACHINE



## WARNING

### EXCESSIVE WEIGHT HAZARD

Use two or more people to move product.  
Failure to do so can result in back or other injury.

## Warranty Registration

It is important you send in your warranty registration card immediately after taking delivery of your ice machine.

The following information will be required when registering your unit.

Service Number  
Serial Number  
Date of Purchase  
Dealer's name and address

The service number and serial number can be found on the serial plate which is located inside the cabinet on the rear wall near the top. See figure 1.

## Remove Interior Packaging

Your ice machine has been packed for shipment with all parts that could be damaged by movement securely fastened. Remove internal packing materials and any tape holding internal components in place. The owners manual is shipped inside the product in a plastic bag along with the warranty registration card, and other accessory items.

## Important

Keep your carton and packaging until your ice machine has been thoroughly inspected and found to be in good condition. If there is damage, the packaging will be needed as proof of damage in transit. Afterwards please dispose of all items responsibly in particular the plastic bags which can be a suffocation hazard.

## Note to Customer

This merchandise was carefully packed and thoroughly inspected before leaving our plant. Responsibility for its safe delivery was assumed by the retailer upon acceptance of the shipment. Claims for loss or damage sustained in transit must be made to the retailer.

DO NOT RETURN DAMAGED MERCHANDISE TO THE MANUFACTURER - FILE THE CLAIM WITH THE RETAILER.



## CAUTION

If the unit was shipped or has been laying on its back for any period of time allow the refrigerator to sit upright for a period of at least 24 hours before plugging in. This will assure oil returns to the compressor. Plugging the ice machine in immediately may cause damage to internal parts.


<b>AGA MARVEL</b>		R134A	<input type="checkbox"/>	OZ
MODEL NO.	<input type="text"/>			
SERVICE NO.	<input type="text" value="XXXXXXXX"/>	REV.	<input checked="" type="checkbox"/>	
SERIAL NO.	<input type="text" value="XXXXXXXXXXXXXXXX"/>			
	HZ	<input type="text"/>	VOLTS	<input type="text"/>
			AMPS	<input type="text"/>
			TEST PRESSURE	140 PSI LOW SIDE 300 PSI HIGH SIDE

Figure 1



## CAUTION

## Help Prevent Tragedies

Child entrapment and suffocation are not problems of the past. Junked or abandoned refrigerators are still dangerous - even if they sit out for "just a few hours".

If you are getting rid of your old refrigerator, please follow the instructions below to help prevent accidents.

Before you throw away your old refrigerator or freezer:

- Take off the doors or remove the drawers.
- Leave the shelves in place so children may not easily climb inside.

# INSTALLING YOUR ICE MACHINE

## Select Location

The proper location will ensure peak performance of your appliance. We recommend a location where the unit will be out of direct sunlight and away from heat sources. To assure your product performs to specifications the recommended installation location temperature range is from 65 to 90°F (18 to 32°C).

## Cabinet Clearance

Ventilation is required from the bottom front section of the unit. Keep this area open and clear of any obstructions. Adjacent cabinets and counter top can be installed around the unit as long as the front grille remains unobstructed.

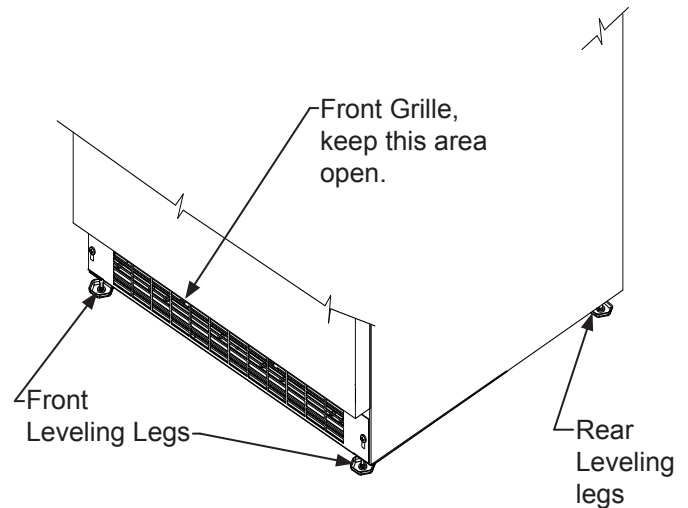


Figure 2



## CAUTION

### Front Grille

Do not obstruct the front grille. The openings within the front grille allow air to flow through the condenser heat exchanger. Restrictions to this air flow will result in increased energy usage and loss of cooling capacity. For this reason it is important this area to not be obstructed and the grille openings kept clean. AGA MARVEL does not recommend the use of custom made grilles as air flow may be restricted because of inadequate openings. (See Figure 2).

### Leveling Legs

Adjustable legs at the front and rear corners of the appliance should be set so the unit is firmly positioned on the floor and level from side to side and front to back. The overall height of your Marvel appliance may be adjusted between the minimum, 31 $\frac{1}{8}$ " (79.1 cm), by turning the leveling leg in (CW ↻) and the maximum, 32 $\frac{1}{8}$ " (81.6 cm) by turning the leveling leg out (CCW ↻).

To adjust the leveling legs, place the appliance on a solid surface and protect the floor beneath the legs to avoid scratching the floor. With the assistance of another person, lean the appliance back to access the front leveling legs. Raise or lower the legs to the required dimension by turning the legs. Repeat this process for the rear by tilting the appliance forward using caution. On a level surface check the appliance for levelness and adjust accordingly.

The front grille screws may be loosened and the grille adjusted to the desired height. When adjustment is complete tighten the two front grille screws. (See Figure 5).

# INSTALLING YOUR ICE MACHINE

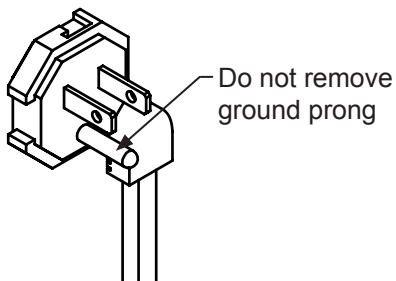


Figure 3

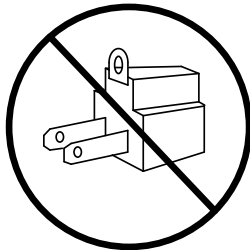


Figure 4

## WARNING

### Electrical Shock Hazard

- Do not use an extension cord with this appliance. They can be hazardous and cause deficient operation.
- This unit should not, under any circumstances, be installed to an un-grounded electrical supply.
- Do not remove the grounding prong from the power cord. (See Figure 3).
- Do not use an adapter. (See Figure 4).
- Do not splash or spray water from a hose on the appliance. Doing so may cause an electrical shock, which may result in severe injury or death.

### Electrical Connection

A grounded 115 volt, 15 amp dedicated circuit is required. (A separate circuit serving only this appliance).

This product is factory equipped with a power supply cord that has a three-pronged, grounded plug. It must be plugged into a mating grounding type polarized receptacle located near the product. The product and receptacle should be installed in accordance with the National Electrical Code and applicable local codes and ordinances (see Figure 6). If the circuit does not have a grounding type receptacle, it is the responsibility and obligation of the customer to provide the proper power supply.

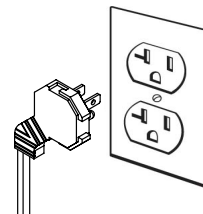


Figure 6

## NOTE

Ground Fault Circuit Interrupters (GFCI) are prone to nuisance tripping which will cause the unit to shut down. GFCI's are generally not used on circuits with power equipment that must run unattended for long periods of time, unless required to meet local building codes and ordinances.

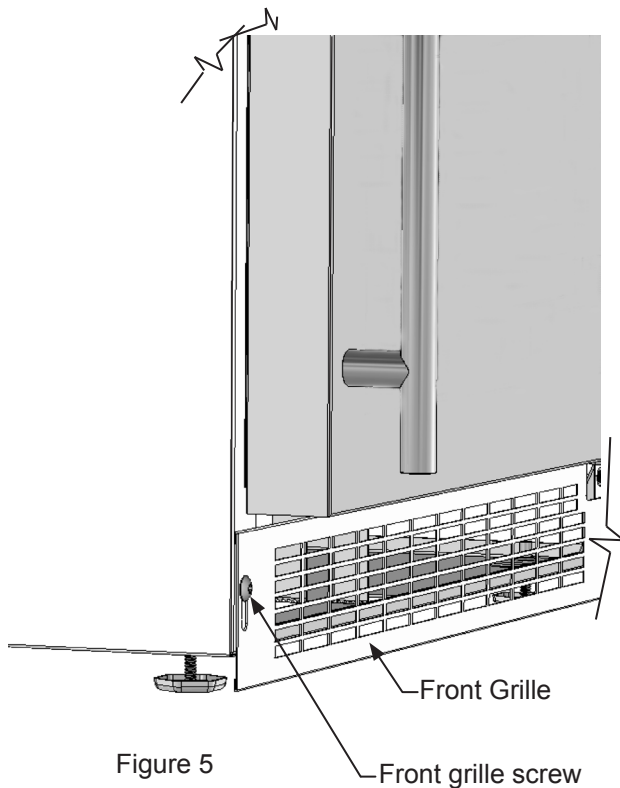


Figure 5

## INSTALLING THE WATER SUPPLY

### Water Supply

#### CAUTION

Observe and follow all local building codes when installing this appliance.

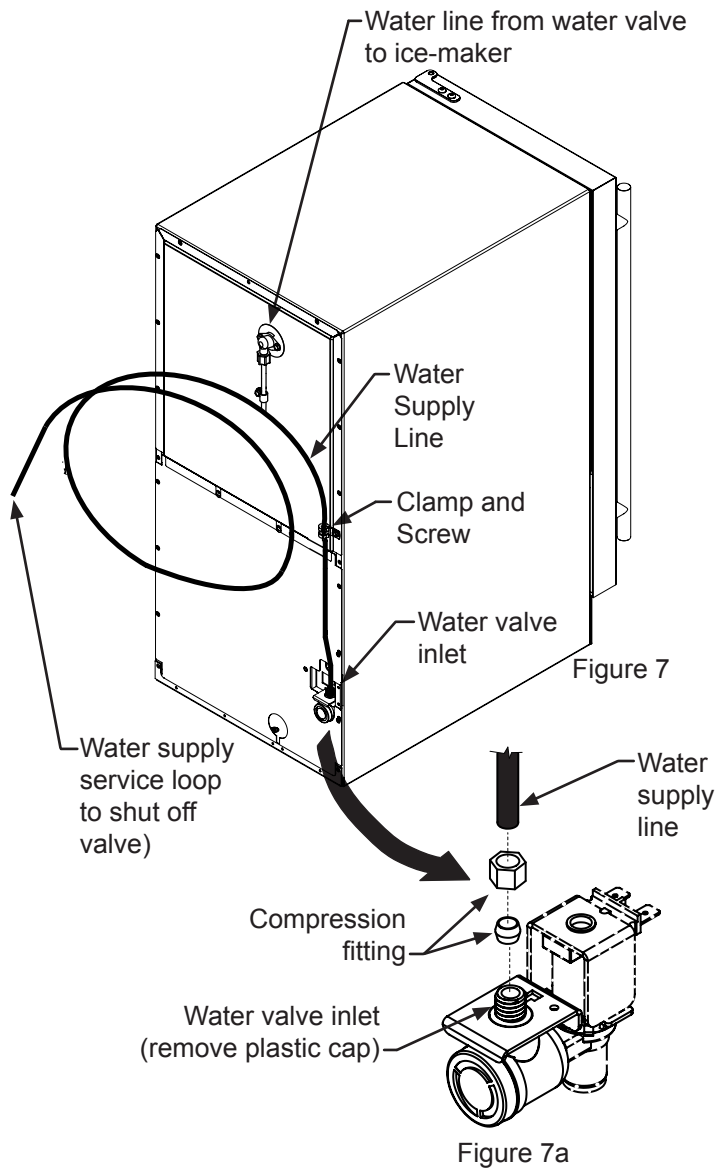
Use ¼" copper tubing for your water supply which is available at any local hardware or plumbing supply store. Bend the ¼" copper tubing to suit your installation being sure not to kink the tubing. Purchase enough copper tubing length and coil it behind the unit to form a "service loop" which will allow the appliance to be pulled out from the installation for servicing or cleaning. Connect the copper tubing to the "top side" of a cold water pipe to prevent the ice-maker from plugging with sediment.

A shutoff valve is recommended on the water supply line to ease servicing the appliance. **NOTE: A SELF-PIERCING TYPE VALVE IS NOT RECOMMENDED** as they are prone to clogging with sediment which will create pressure drop reducing the water supply to the unit.

Connect the copper tubing water supply to the water valve inlet with the compression nut fitting provided. Secure the water supply line to the back of the cabinet with the screw and clamp provided in the corner of the back panel. (See Figure 7).

Water pressure must be at a minimum of 20 psi for proper operation and a maximum of 120 psi.

Make certain all water connections are watertight after installation. Form the tubing so that it will not vibrate against the cabinet body or kink when your appliance is set in position.



#### NOTE

- Do not use any thread sealers on these water line fittings.
- Reverse osmosis, softened water, and de-ionized water are not recommended as they will adversely affect the quality of the ice.

## USING YOUR ICE MACHINE

### CAUTION

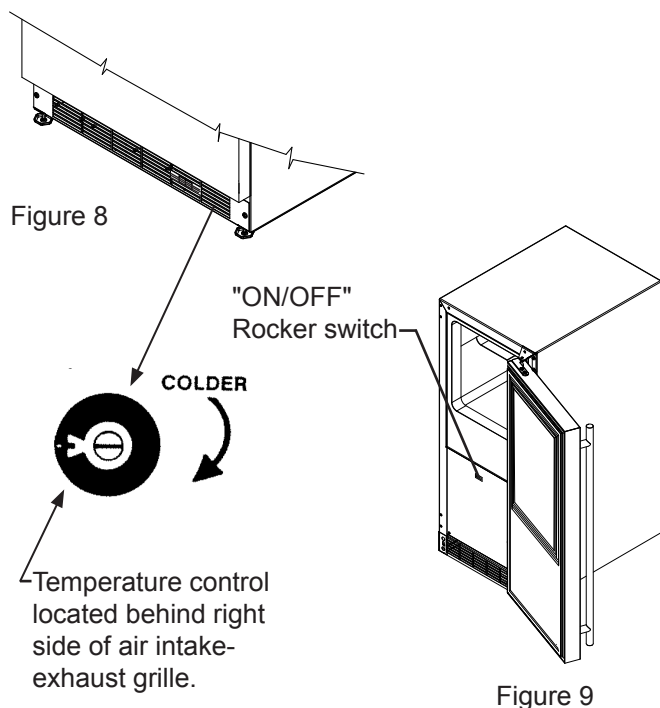
The water supply to the ice-maker must be turned on prior to turning the ice-maker on. Failure to do so will cause rapid dry cycling of the ice-maker mold heater resulting in temperature control issues in the freezer compartment.

### Turning on the ice machine

After connecting the water supply, and setting your ice machine in place plug the power cord into the wall receptacle. Then place the switch located behind the door below the ice compartment (see Figure 9) to the "ON" position. The temperature control is factory preset, allow the ice maker to run for 24 hours so the interior temperature will stabilize. If you wish to adjust the interior temperature use a small bladed screwdriver pushed through the right hand side of the grille to turn the temperature control shaft. Turning it clockwise will make the unit colder. Turning it counterclockwise will make it warmer. Turning it counterclockwise until it stops will shut off the compressor and fan motor.

### CAUTION

Should you turn off your control, allow at least five (5) minutes before restarting in order to give the motor control time to automatically reset so that it can restart the motor. Electrical power to your unit is controlled by the "ON/OFF" rocker switch located behind the door below the ice compartment (See Figure 9).



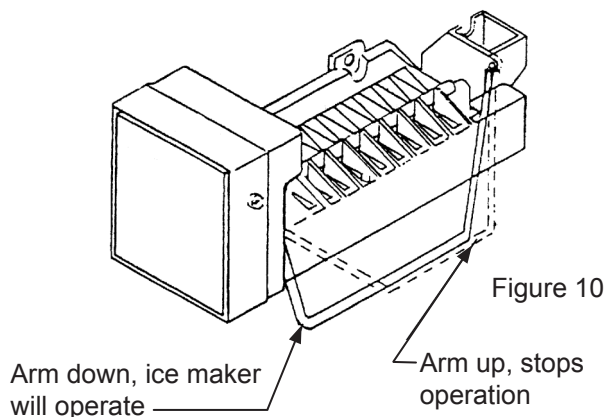
### Ice-maker operation

- The unit must be installed level for proper ice-maker operation.
- The shutoff arm wire must be down in its lowest position for the ice-maker to operate. (See Figure 10).
- When the freezer section and ice-maker unit has sufficiently cooled, the ice-maker will harvest ice cubes automatically.
- When the ice bucket is full, the ice-maker will automatically shut off.
- You may manually stop the ice-maker by raising the shut off arm to the locking position at the up most position. (See Figure 10).

### NOTE

It is recommended the ice-maker is shut off when removing the bucket, or ice may be dispensed onto the freezer compartment floor.

If the ice is not used regularly, it will clump together with time. For best ice results, discard ice in the bin as required and allow the ice-maker to make a new fresh batch of ice. Shut-off the ice-maker by raising the shut-off arm before removing the bucket.



### Long and short term storage of ice-maker:

When operation of the appliance is to be discontinued for any length of time, the ice cube mold in the ice-maker should be emptied by allowing the ice-maker to dispense cubes with the water supply turned off.

1. Turn the water supply off.
2. Raise the ice-maker bail arm.
3. Empty the ice bucket.
4. Replace the ice bucket in the unit and lower the bail arm.

Dispensing of the cubes should occur within 2 hours. After the ice-cubes dispense - empty, clean, and replace the ice cube bucket, and raise the bail arm.

# PRODUCT DIMENSIONS

MODEL	ROUGH-IN OPENING DIMENSIONS			CABINET DIMENSIONS					
	"A"	"B"	"C"	"D"	"E"	"F"	"G"	"H"	"J"
MA15CRS	15" (38.1 cm)	**31 $\frac{1}{8}$ " to 32 $\frac{3}{8}$ " (79.7 to 82.2 cm)	*	14 $\frac{7}{8}$ " (37.8 cm)	31 $\frac{1}{8}$ " to 32 $\frac{1}{8}$ " (79.1 to 81.6 cm)	21 $\frac{25}{32}$ " (55.3 cm)	23 $\frac{1}{16}$ " (60.2 cm)	35 $\frac{5}{8}$ " (90.5 cm)	16 $\frac{9}{16}$ " (42.1 cm)

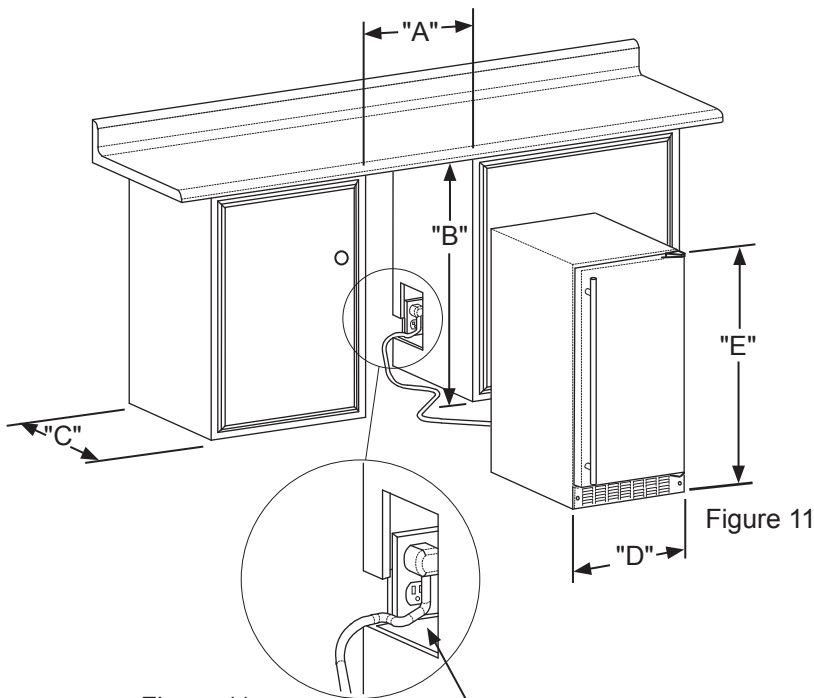


Figure 11a

If necessary to gain clearance inside the rough-in opening a hole can be cut through the adjacent cabinet and the power cord routed through this hole to a power outlet. Another way to increase the available opening depth is to recess the power outlet into the rear wall to gain the thickness of the power cord plug. Not all recessed outlet boxes will work for this application as they are too narrow, but a recessed outlet box equivalent to Arlington #DVFR1W is recommended for this application, (see Figure 12).



Figure 12



# PRODUCT DIMENSIONS

PRODUCT DATA		
MODEL	ELECTRICAL REQUIREMENTS #	PRODUCT WEIGHT
MA15CRS	115V/60Hz/15A	86 lbs (39.1 kg)

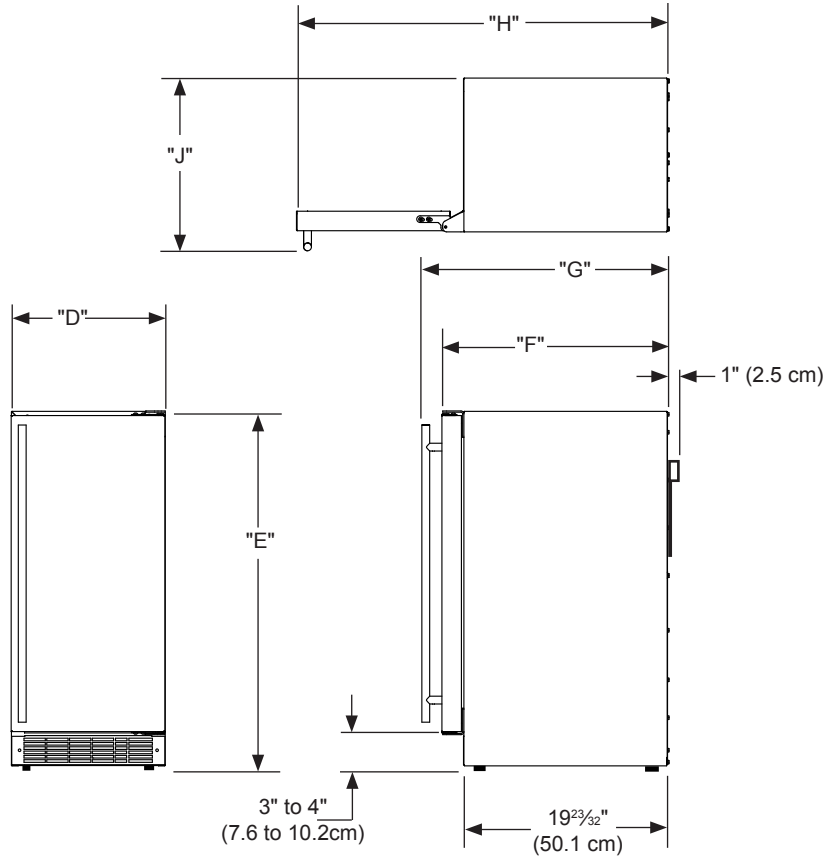


Figure 13

\* Depth dimension of rough-in opening may vary depending on each individual installation. To recess entire door "F" dimension plus 1" (2.5 cm) for the thickness of the water supply line.

\*\* Minimum rough-in opening required is to be larger than the adjusted height of the cabinet.

# A grounded 15 amp dedicated circuit is required. Follow all local building codes when installing electrical and appliance.

## CARE AND CLEANING



### CAUTION

**SHOCK HAZARD:** Disconnect electrical power from the appliance before cleaning with soap and water.

#### Cabinet

The painted cabinet can be washed with either a mild soap and water and thoroughly rinsed with clear water. NEVER use abrasive scouring cleaners.

#### Interior

Wash interior compartment with mild soap and water. Do NOT use an abrasive cleaner, solvent, polish cleaner or undiluted detergent.

#### Care of Unit

1. Avoid leaning on the door, you may bend the door hinges or tip the unit.
2. Exercise caution when sweeping, vacuuming or mopping near the front of the unit. Damage to the grille can occur.
3. Periodically clean the interior of the unit as needed.
4. Periodically check and/or clean the front grille as needed.

#### Defrosting Instructions

1. Push the rocker switch located in the front grille to the "OFF" position.
2. Remove the ice bucket and place a towel in the lower front area of the ice maker to absorb the defrost water.
3. After defrosting is completed replace the ice bucket and press the rocker switch to the "ON" position.



### CAUTION

Do not use an ice pick, knife, or any type of sharp object to remove the ice. Doing so may puncture the units refrigerant system and damage it beyond repair. You may speed up defrosting by filling the ice bucket with hot water and placing it back into position.

## ENERGY SAVING TIPS

**The following suggestions will minimize the cost of operating your ice machine appliance.**

1. Do not install your appliance next to a hot appliance, (cooker, dishwasher, etc.), heating air duct, or other heat sources.
2. Install product out of direct sunlight.
3. Assure the front grille vents at front of unit beneath door is not obstructed and kept clean to allow ventilation for the refrigeration system to expel heat.
4. Plug your appliance into a dedicated power circuit. (Not shared with other appliances).
5. Maintaining a relatively full ice bin will require less appliance run time than an empty compartment.
6. Minimize door openings and duration of door openings.
7. Use the warmest temperature control set-point that meets your personal preference and provides the proper storage for your stored contents.
8. When on vacation or away from home for extended periods, set the appliance to warmest acceptable temperature for the stored contents.
9. Set the control to the "off" position if cleaning the unit requires the door to be open for an extended period of time.

## OBTAINING SERVICE

### Door alignment:

The door should be parallel to the sides and top of the appliance. If alignment is necessary the door may be adjusted by loosening the 2 screws which secure the door adjustment brackets on the bottom of the door (see Figure 14a) and on the top of the door and adjusting the door side to side. Use a  $\frac{1}{32}$ " allen wrench for this procedure. (See Figure 14 below). When finished aligning the door, tighten the screws securely.

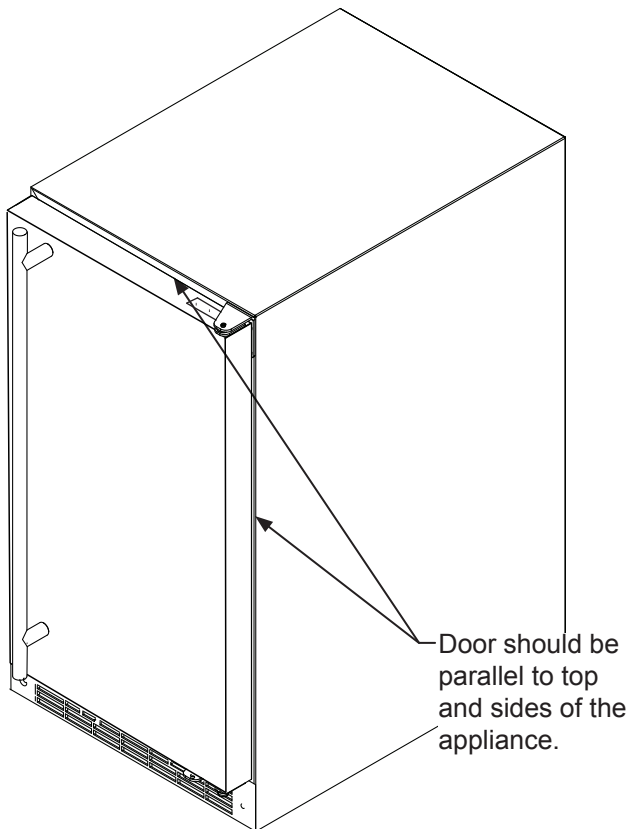


Figure 14

### If Service is Required:

- If the product is within the first year warranty period please contact your dealer or call AGA MARVEL Customer Service at 800.223.3900 for directions on how to obtain warranty coverage in your area.
- If the product is outside the first year warranty period, AGA MARVEL Customer Service can provide recommendations of service centers in your area. A listing of authorized service centers is also available at [www.agamarvel.com](http://www.agamarvel.com) under the service and support section.
- In all correspondence regarding service, be sure to give the model number, serial number, and proof of purchase.
- Try to have information or description of nature of the problem, how long the unit has been running, the room temperature, and any additional information that may be helpful in quickly solving the problem.
- Table A is provided for recording pertinent information regarding your product for future reference.

For Your Records	
Date of Purchase	
Dealer's name	
Dealer's Address	
Dealer's City	
Dealer's State	
Dealer's Zip Code	
Appliance Serial Number	
Appliance Service Number	
Date Warranty Card Sent (Must be within 10 days of purchase).	

Table A

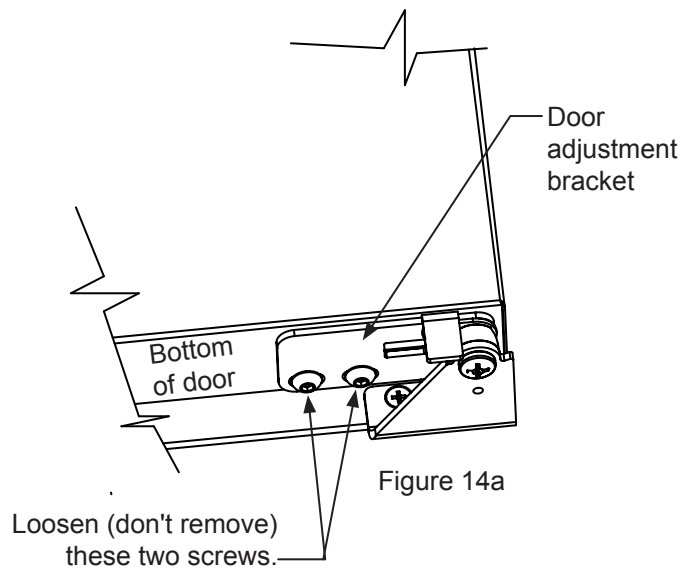


Figure 14a

# TROUBLESHOOTING YOUR ICE MACHINE

## Before You Call for Service

If the unit appears to be malfunctioning, read through this manual first. If the problem persists, check the troubleshooting guide below. Locate the problem in the guide and refer to the cause and its remedy before calling for service. The problem may be something very simple that can be solved without a service call. However, it may be required to contact your dealer or a qualified service technician.



## WARNING

### Electrocution Hazard

- Never attempt to repair or perform maintenance on the unit until the main electrical power has been disconnected. Turning the unit control "OFF" does not remove electrical power from the units wiring.
- Replace all parts and panels before operating.

Problem	Possible Cause	Remedy
Unit operates but does not produce any ice	<ul style="list-style-type: none"> <li>• The unit has just been started and it has been less than 24 hours.</li> <li>• Water supply is not turned on.</li> <li>• Inadequate water pressure to unit.</li> <li>• The ice maker shut off arm is in the uppermost position.</li> <li>• Freezer section has not reached temperature.</li> <li>• Thermostat control set too warm.</li> <li>• Condenser fan air flow is restricted.</li> <li>• Room and/or water temperature is too warm.</li> </ul>	<ul style="list-style-type: none"> <li>• Typical ice production is 12 pounds per day. Allow for the freezer section to reach temperature and the ice maker to cycle and accumulate ice.</li> <li>• Turn on water supply to the unit.</li> <li>• Water pressure to the unit must be at a minimum of 20 psi.</li> <li>• When the ice maker shut off arm is in the uppermost position, the ice maker is off. Flip the shut off arm down to turn on the ice maker.</li> <li>• Allow the freezer section to reach temperature.</li> <li>• Turn the temperature control to a higher number to allow the unit to run colder. Allow 24 hours before readjusting the temperature control.</li> <li>• Make certain the grille in front of the unit is free and open for air circulation. Clean grille as required.</li> <li>• Move the unit to an area where ambient temperature is below 90°F. The unit should not be placed next to a heat source such as an oven. Check for cold water connection.</li> </ul>
Small ice cubes	<ul style="list-style-type: none"> <li>• Water input may require adjustment.</li> </ul>	<ul style="list-style-type: none"> <li>• Due to differing water pressures, the ice maker water input may require adjustment. Contact a qualified service technician if adjustment is needed.</li> </ul>
Ice cubes are sticking together.	<ul style="list-style-type: none"> <li>• Ice consumption is low.</li> <li>• Room temperature is too warm.</li> </ul>	<ul style="list-style-type: none"> <li>• Use the ice in the bin frequently. Ice will stick together if left in insulated bin over long periods of time.</li> <li>• Move the unit to an area that is below 90°F.</li> </ul>

## TROUBLESHOOTING YOUR ICE MACHINE

Problem	Possible Cause	Remedy
Unit too warm or too cold inside.	<ul style="list-style-type: none"> <li>• Control set too warm or cold</li> <li>• Content temperature not stabilized.</li> <li>• Excessive usage or prolonged door openings.</li> <li>• Airflow to front grille blocked.</li> <li>• Door gasket not sealing properly.</li> </ul>	<ul style="list-style-type: none"> <li>• Adjust temperature colder or warmer as required. Allow 24 hours for temperature to stabilize.</li> <li>• Allow temperature to stabilize for at least 24 hours.</li> <li>• Airflow must not be obstructed to front grille. See “clearances” on page 4.</li> <li>• Check door alignment and/or adjust or replace door gasket..</li> </ul>
Noise or Vibration	<ul style="list-style-type: none"> <li>• Unit not level</li> <li>• Water line tubing vibration.</li> </ul>	<ul style="list-style-type: none"> <li>• Level unit, see “Leveling Legs” on page 4.</li> <li>• Adjust the tubing as necessary to eliminate unwanted vibrations.</li> </ul>
Unit will not run.	<ul style="list-style-type: none"> <li>• Unit turned off</li> <li>• Power cord not plugged in.</li> <li>• No power at outlet.</li> </ul>	<ul style="list-style-type: none"> <li>• Turn unit on. See “Set the temperature control” on page 7.</li> <li>• Plug in power cord.</li> <li>• Check house circuit.</li> </ul>
Moisture collects on outside surface of cabinet.	<ul style="list-style-type: none"> <li>• Hot and humid conditions.</li> </ul>	<ul style="list-style-type: none"> <li>• Extremely hot and humid conditions can cause condensation on outside of the cabinet. As humidity and/or temperature decreases, the condensation will disappear.</li> </ul>
Moisture collects on inside of the unit.	<ul style="list-style-type: none"> <li>• Too many door openings.</li> <li>• Prolonged door openings.</li> <li>• Hot and humid conditions</li> </ul>	<ul style="list-style-type: none"> <li>• Limit the amount of door openings.</li> <li>• Limit the amount of time with the door open.</li> <li>• Extreme hot and humid conditions. Move unit to a controlled environment.</li> </ul>

# HOUSEHOLD PRODUCT WARRANTY

## Entire Product

### Limited One Year Parts and Labor Warranty

AGA MARVEL warrants that it will supply all necessary parts and labor to repair or replace in the end user's home or office, any component which proves to be defective in material or workmanship, subject to the condition and exclusions stated below, for a period of one year from the date of purchase by the end user.

### Additional Second Through Fifth Year

#### Limited Parts Only Warranty

During the four years following expiration of the one year limited warranty, AGA MARVEL will supply replacement parts for the hermetically sealed refrigeration system which consists of the compressor, condenser, drier, accumulator, bypass valve, connecting tubing and the evaporator that are proven to be defective due to workmanship or materials subject to the conditions and exclusions below.

The above warranties do not cover:

- Shipping costs of replacement parts or returned defective parts.
- Customer education or instructions on how to use the appliance.
- Any content loss due to product failure.
- Removal or installation of product.

Nor do the above warranties cover failure of this product or its components due to:

- Transportation or subsequent damages.
- Commercial use or use other than normal household or small office.
- Improper installation, misuse, abuse, accident or alteration, use of wiring not conforming to electrical codes, low or high voltages, failure to provide necessary maintenance, or other unreasonable use.

## Parts or Service

### Not Supplied or Designated by AGA MARVEL

The above warranties also do not apply if:

- The original bill of sale, deliver date, or serial number cannot be verified.
- Defective parts are not returned for inspection if so requested by AGA MARVEL.
- The refrigeration equipment is not in the possession of the original end use purchaser.

The warranties set forth herein are the only warranties extended by AGA MARVEL. Any implied warranties, including the implied warranty of merchantability, are limited to the duration of these express warranties. In no event shall AGA MARVEL be liable for any consequential or incidental damages or expenses resulting from breach of these or any other warranties, whether express or implied.

Some states do not allow the exclusion or limitation of consequential damages or a limitation on how long an implied warranty lasts, so the above exclusion or limitation may not apply to you. This warranty gives you specific legal rights and you may have other rights that may vary from state to state.

No person, firm, or corporation is authorized to make any other warranty or assume any other obligation for AGA MARVEL. These warranties apply only to products used in any of the fifty states of the United States and the District of Columbia.

To obtain performance of this warranty, report any defects to:

**AGA MARVEL**  
1260 E. VanDeinse St.  
Greenville MI 48838

Phone: 800.223.3900





[www.agamarvel.com](http://www.agamarvel.com)

**AGA MARVEL**

1260 E. VanDeinse St.  
Greenville MI 48838

800.223.3900

41013942-EN Rev A  
5/13/15

All specifications and product designs subject to change without notice. Such revisions do not entitle the buyer to corresponding changes, improvements, additions, replacements or compensation for previously purchased products.



- EN** Installation, Operation and Maintenance Instructions  
**FR** Instructions d'installation, d'utilisation et d'entretien  
**ES** Instrucciones de instalación, operación y mantenimiento

Crescent Ice Machine  
Machine à glaçons  
Máquina de hielo

**MA15CR**



# CONTENU

## Contenu :

Informations de sécurité.....	2
Déballage de votre appareil .....	3
Enregistrement de la garantie .....	3
Installation de votre appareil .....	4
Dégagements par rapport à l'armoire .....	4
Mise à niveau de l'appareil .....	4
Raccordement électrique.....	5
Installation de L'alimentation en eau .....	6
Utilisation de votre machine à glaçons .....	7
Dimensions du produit.....	8
L'entretien et le nettoyage .....	10
Conseils pour l'économie d'énergie .....	10
Alignement de porte .....	11
Obtention de service .....	11
Dépannage.....	12
Garantie.....	14

## Importantes instructions de sécurité

Les avertissements et les instructions de sécurité qui apparaissent dans ce guide n'ont pas la prétention de couvrir toutes les conditions et situations possibles pouvant arriver. Il faut faire preuve de bon sens, de précautions et de soins, pour installer, utiliser ou entretenir cet appareil.

## Reconnaissance des symboles, des mots et des étiquettes concernant la sécurité.



### AVERTISSEMENT

**AVERTISSEMENT** - Risque possible de décès ou de blessure grave si vous ne suivez pas les instructions.



### ATTENTION

**ATTENTION** - Risques ou pratiques dangereuses pouvant entraîner des blessures individuelles, des dégâts matériels ou des dommages au produit.

### REMARQUE

**REMARQUE** - Information importante pour réaliser une installation et une utilisation sans problèmes.

Avertissements de la proposition 65 de l'État de Californie :

**AVERTISSEMENT** : Ce produit contient au moins un produit chimique connu par l'État de Californie pour être à l'origine de cancers.

**AVERTISSEMENT** : Ce produit contient au moins un produit chimique connu par l'État de Californie pour être à l'origine de malformations et autres déficiences de naissance.

**AGA MARVEL** s'engage à fabriquer un produit de qualité d'une manière ne nuisant pas à l'environnement. Nos procédés sont sévèrement contrôlés et surveillés de près. Nous avons obtenus les certifications ISO 9001 d'assurance qualité, et ISO 14001 de gestion environnementale, et OHSAS 18001 pour hygiène et sécurité du travail de Lloyd's Register Quality Assurance.



# DÉBALLAGE DE VOTRE APPAREIL



## AVERTISSEMENT

### AVERTISSEMENT RISQUE DE POIDS EXCESSIF

Utilisez deux personnes ou plus pour déplacer le produit.  
Sinon vous pourriez vous blesser.

### Enlèvement de l'emballage intérieur

Votre machine à glaçons a été emballé pour l'expédition avec toutes les pièces pouvant être endommagées par le mouvement solidement attachées. Enlevez les matériaux d'emballage intérieur et toute bande maintenant des composants intérieurs en place. Le manuel de l'utilisateur est envoyé à l'intérieur de l'appareil dans un sac en plastique, accompagné de la carte d'enregistrement de la garantie, et d'autres articles accessoires.

### Important

Conservez votre carton d'emballage jusqu'à ce que votre machine à glaçons ait été complètement inspecté et trouvé en bon état. S'il présentait des dommages, cet emballage serait nécessaire comme preuve qu'ils sont survenus durant le transit. Ensuite veuillez mettre tous ces matériaux d'emballage au rebut d'une façon responsable.



## ATTENTION

Jetez bien les sacs en plastique qui représentent un risque de suffocation.

### Note pour le client

Cette marchandise a été soigneusement et complètement inspectée avant de quitter notre usine. La responsabilité pour sa livraison sûre a été assumée par le revendeur à l'acceptation de cette expédition. Les réclamations pour perte ou dommages survenus durant le transit sont à adresser au revendeur.

## REMARQUE

NE RENVOYEZ PAS DE MARCHANDISE ENDOMMAGÉE AU FABRICANT – DÉPOSEZ UNE RÉCLAMATION AUPRÈS DU REVENDEUR.



## ATTENTION

Si l'appareil a été livré, manipulé ou entreposé dans une position autre que debout, pendant une durée quelconque, laissez-le reposer debout pendant au moins 24 heures avant de le brancher électriquement. Cela assurera le retour de l'huile au compresseur. Un branchement immédiat de l'appareil pourrait endommager des parties internes.

### Enregistrement de la garantie

Il est important que vous postiez votre carte d'enregistrement de garantie immédiatement après avoir reçu la livraison de votre machine à glaçons, vous pouvez aussi l'enregistrer en ligne sur le site [www.agamarvel.com](http://www.agamarvel.com).

Enregistrement en ligne disponible sur [www.agamarvel.com](http://www.agamarvel.com)

Les informations suivantes seront nécessaires au moment de l'enregistrement de votre appareil:

Numéro de service  
Numéro de série  
Date d'achat  
Nom et adresse du revendeur

Le numéro de service et le numéro de série se trouvent sur la plaque signalétique qui est située à l'intérieur de l'armoire, du côté gauche près du haut (Voyez la Figure 1).

<b>AGA MARVEL</b> GREENVILLE, MI 48838	
MODEL NO.	<input type="text"/>
SERVICE NO.	<input type="text" value="XXXXXXXXXXXX"/>
SERIAL NO.	<input type="text" value="XXXXXXXXXXXX"/>
HZ <input type="text"/>	VOLTS <input type="text"/>
AMPS <input type="text"/>	R134A <input type="text"/> oz
TEST PRESSURE 140 PSI LOW SIDE 300 PSI HIGH SIDE	

Figure 1



## ATTENTION

### Contribuez à éviter des tragédies

L'emprisonnement d'enfants et leur asphyxie ne sont pas des problèmes du passé. Des épaves de réfrigérateurs abandonnés continuent de présenter un danger - même en restant dehors pour «juste quelques heures».

Si vous devez vous débarrasser de votre vieil appareil de refroidissement, veuillez suivre ces instructions pour aider à éviter des accidents possibles.

Avant de jeter votre vieux réfrigérateur ou congélateur :

- Démontez ses portes ou enlevez ses tiroirs.
- Laissez les étagères en place de façon à ce que des enfants ne puissent pas facilement monter dedans.

# INSTALLATION DE VOTRE APPAREIL

## Choix de l'emplacement

Un bon emplacement assurera une performance de pointe pour votre appareil. Nous recommandons un endroit où l'appareil ne sera pas exposé directement au rayonnement solaire et restera écarté de sources de chauffage. Pour assurer que les performances de votre produit soient au niveau de ses spécifications, la plage de températures recommandée au lieu d'installation sera de 65 à 90°F (18 à 32°C).

## Dégagements par rapport à l'armoire

Une ventilation est nécessaire depuis la section frontale du bas de l'armoire. Gardez cette zone libre et exempte de toutes obstructions. Des meubles et comptoirs peuvent être installés autour de l'unité de façon adjacente dans la mesure où sa grille frontale restera non obstruée. Les modèles à revêtement de porte avec charnières articulées sont prévus pour des applications encastrées uniquement.

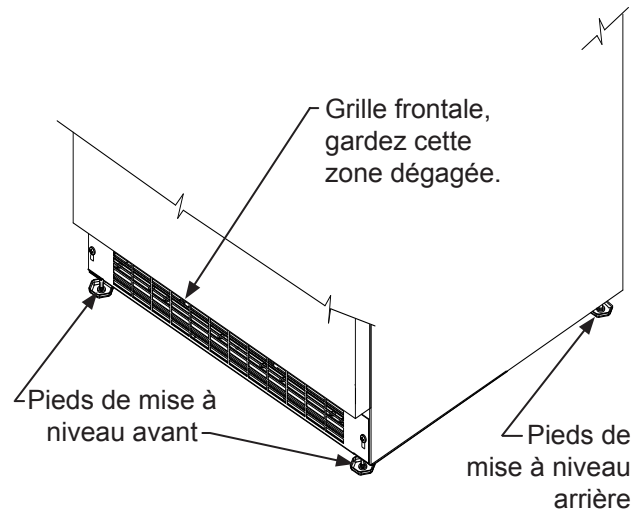


Figure 2



## Grille frontale

N'obstruez pas la grille frontale. Les ouvertures au travers de la grille frontale permettent l'écoulement de l'air par l'échangeur thermique du condenseur. Des restrictions de ce flux d'air vont augmenter la consommation d'énergie et affecter sa capacité de refroidissement. C'est pourquoi il est important que cette zone ne soit pas obstruée et soit maintenue propre. AGA MARVEL recommande de ne pas utiliser de grilles personnalisées, car l'écoulement d'air en serait diminué (Voyez la Figure 2).

## Pieds de mise à niveau

Des pieds réglables aux angles avant et arrière de l'armoire doivent être ajustés pour qu'elle soit fermement positionnée au sol et bien d'aplomb, d'un côté à l'autre et d'avant en arrière. La hauteur totale de votre appareil Marvel peut être ajustée entre le minimum 33¾ po (85,7 cm) (en vissant les pieds de mise à niveau CW ↻) et le maximum 34¾ po (88,3 cm) (en dévissant les pieds de mise à niveau CCW ↻) des.

Pour régler ces pieds de mise à niveau, placez l'appareil sur une surface solide, en protégeant le sol en dessous pour ne pas le rayer. Avec l'aide d'une autre personne, inclinez vers l'arrière de l'appareil pour accéder aux pieds de mise à niveau de l'avant. Levez ou abaissez ces pieds à la hauteur requise en les tournant. Répétez la procédure pour les pieds arrière en inclinant le cave à vin vers l'avant en faisant attention. Sur une surface plane, vérifiez le niveau de l'appareil et ajustez les pieds en conséquence.

Les vis de la grille frontale peuvent être desserrées et la grille ajustée à la hauteur voulue. Quand le réglage est fait resserrez les vis de la grille frontale (Voyez la Figure 5).

## INSTALLATION DE VOTRE APPAREIL

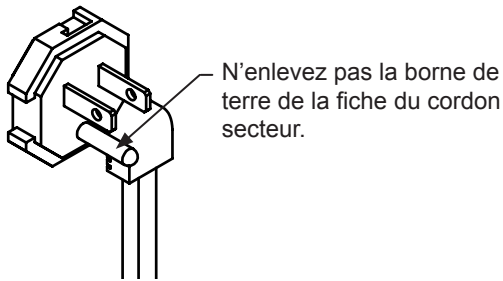


Figure 3

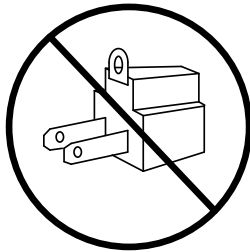


Figure 4

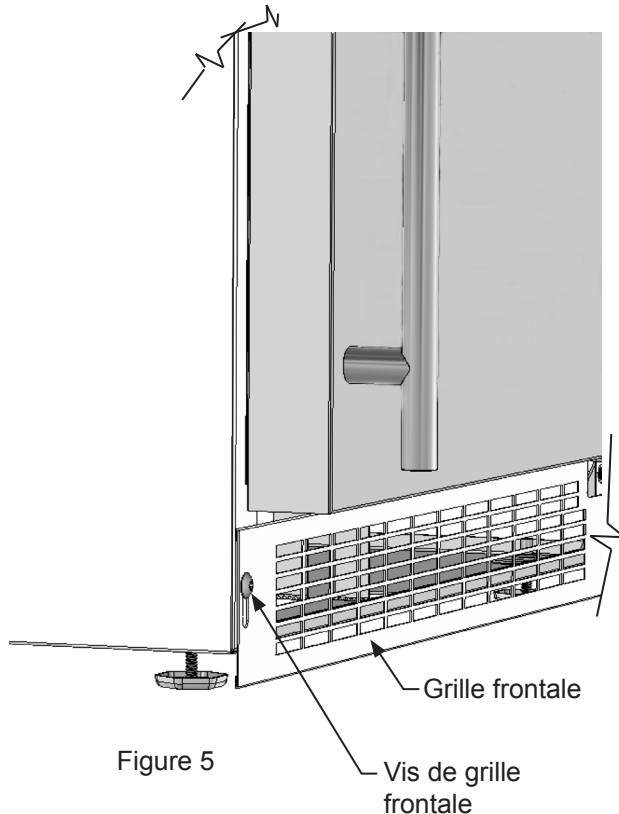


Figure 5



### AVERTISSEMENT

#### Risque de commotion électrique

- N'utilisez pas de rallonge secteur avec cet appareil. Cela peut être dangereux et peut affecter la performance du produit.
- Cet appareil ne doit sous aucun prétexte être installé sur une alimentation électrique sans liaison de terre.
- N'enlevez pas la borne de terre de la fiche du cordon secteur. (Voyez la Figure 3).
- N'utilisez pas d'adaptateur entre fiche et prise. (Voyez la Figure 4).
- N'envoyez pas d'eau par éclaboussure ou par jet d'un tuyau sur l'appareil. Cela pourrait causer une commotion électrique, entraînant potentiellement des blessures graves voire mortelles.

#### Raccordement électrique

Un circuit secteur dédié en 115 V supportant 15 A est nécessaire.

Ce produit est équipé en usine d'un cordon secteur comportant une fiche avec terre à trois broches. Il faut la brancher dans une prise secteur correspondante avec terre, en conformité avec la norme électrique américaine et les normes et réglementations locales applicables (Voyez la Figure 6). Si le circuit ne comporte pas une prise avec terre, le client doit en fournir une adéquate; c'est sa responsabilité et son obligation. La troisième broche de terre ne doit en aucun cas être coupée ou enlevée.

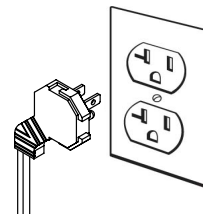


Figure 6

### REMARQUE

Un disjoncteur sur détection de courant de fuite (GFCI) a tendance à provoquer des déclenchements intempestifs qui peuvent arrêter l'appareil. Ce type de protection n'est en général pas utilisé sur de l'équipement électrique qui doit tourner sans surveillance pendant de longues périodes, sauf si c'est imposé par les normes de construction et réglementations locales.

# INSTALLATION DE L'ALIMENTATION EN EAU

## Alimentation en eau



### ATTENTION

Respectez et observez toutes les normes locales pour l'installation de cet appareil.

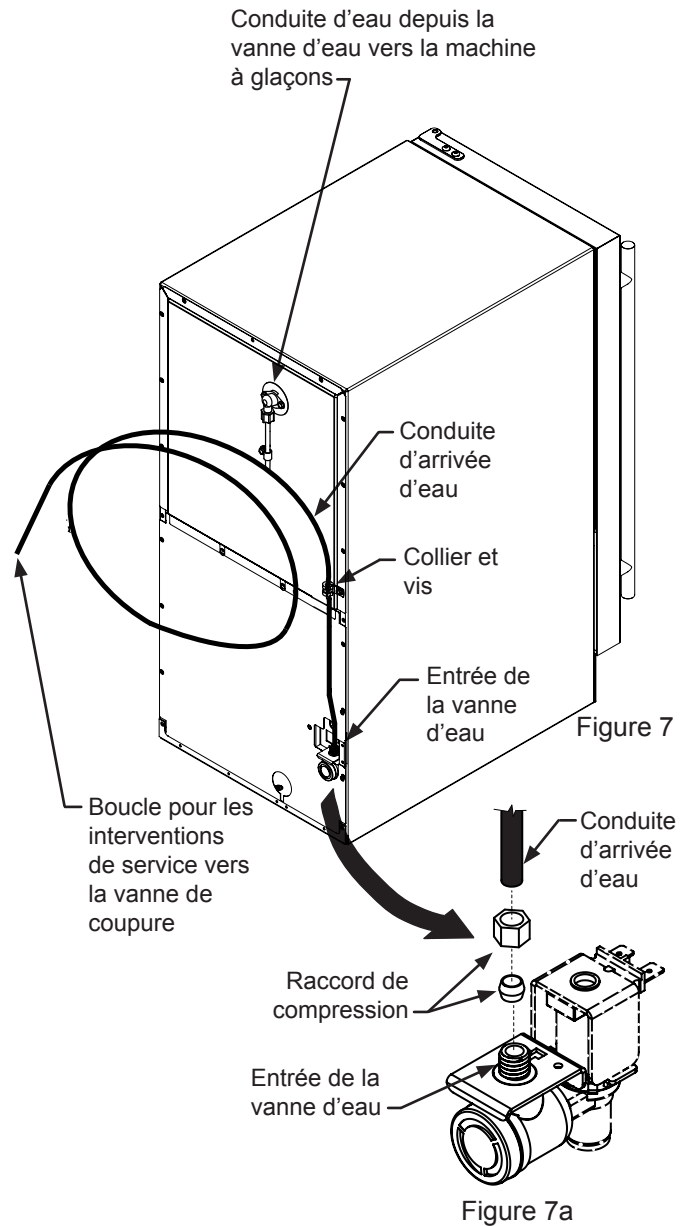
Utilisez du tube de cuivre de 1/4" pour votre arrivée d'eau, disponible localement dans toute quincaillerie ou magasin de fournitures de plomberie. Formez le tuyau de cuivre de 1/4" en fonction des besoins de votre installation, en prenant soin de ne pas le pincer. Achetez suffisamment de tube en cuivre et enroulez-le derrière l'appareil pour former une "boucle pour interventions de service", qui permettra que l'appareil soit tiré et sorti à des fins de dépannage ou de nettoyage. Connectez le tube en cuivre sur la partie haute d'un tuyau d'arrivée d'eau froide, pour éviter que la machine à glaçons ne s'obstrue avec des sédiments.

Une vanne de coupure est recommandée sur la conduite d'alimentation en eau pour faciliter les interventions sur l'appareil. **REMARQUE : UNE VANNE DE TYPE À AUTO-PERÇAGE N'EST PAS RECOMMANDÉE** car elle est susceptible d'obstruction avec des sédiments qui causerait une chute de pression et réduirait l'alimentation en eau de l'appareil.

Connectez la tubulure en cuivre d'alimentation en eau sur entrée de la vanne d'eau avec le raccord à écrou de compression fourni. Fixez la conduite d'arrivée d'eau sur l'arrière de l'armoire avec la vis et le collier fournis à l'angle du panneau arrière (Voyez la Figure 7).

La pression de l'eau doit faire au moins 20 psi pour un bon fonctionnement, avec un maximum de 120 psi.

Assurez-vous que toutes les connexions d'eau sont étanches après l'installation. Formez le tube de façon à ce qu'il ne vibre pas contre le corps de l'armoire ou ne s'écrase pas quand la machine est poussée en place.



### REMARQUE

- N'utilisez aucun produit d'étanchéification des filetages sur les raccordements de conduite d'eau.
- De l'eau adoucie par osmose inversée ou dé-ionisée n'est pas recommandée car cela pourrait affecter la qualité des glaçons.

## UTILISATION DE VOTRE MACHINE À GLAÇONS



### ATTENTION

L'alimentation en eau de la machine à glaçons doit être ouverte avant de mettre la machine à glaçons en marche. Ne pas le faire causerait rapidement un cycle à sec du réchauffeur de moulage ce qui entraînerait des problèmes de contrôle thermique dans le compartiment de congélation.

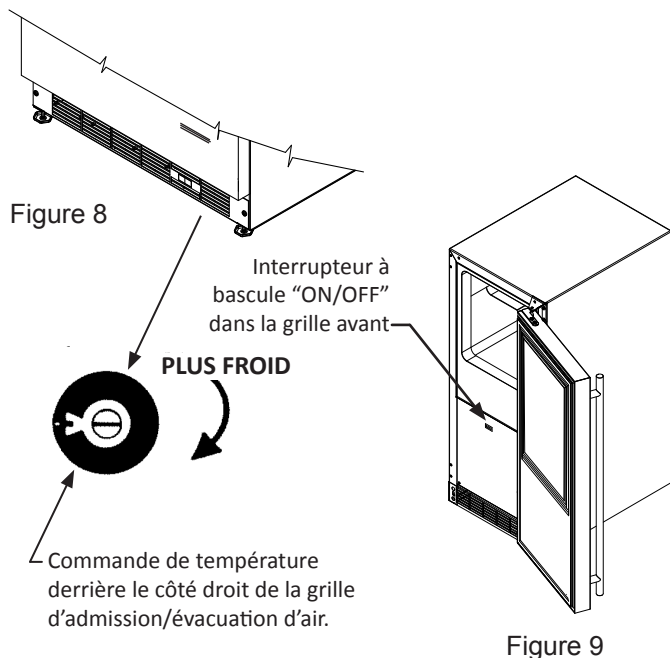
### Mise en marche de votre machine à glaçons

Après avoir branché l'alimentation en eau, et mis votre machine à glaçon à sa place, branchez la fiche de son cordon d'alimentation dans une prise secteur murale. Puis placez l'interrupteur en dessous du bac à glaçons (Voyez la Figure 9) en position de marche (ON). Le contrôle de température est paramétré à l'avance en usine, laissez la machine à glaçons tourner pendant 24 heures de façon à ce que sa température intérieure se stabilise. Si vous désirez ajuster la température intérieure, utilisez un tournevis à lame fine passé au travers du côté droit de la grille pour tourner l'axe de la commande de consigne de température. En le tournant en sens horaire vous diminuez la température. En le tournant en sens antihoraire vous l'augmentez. Le fait de tourner en sens antihoraire jusqu'en butée fait arrêter le compresseur et le moteur de ventilateur.



### ATTENTION

Si vous avez arrêté votre contrôle, attendez au moins cinq (5) minutes avant de le redémarrer, de manière à ce que le contrôle du moteur ait le temps de faire une restauration automatique pour que le moteur puisse redémarrer. L'alimentation électrique de votre appareil est commandée par l'interrupteur à bascule "ON/OFF" situé en dessous du bac à glaçons (Voyez la Figure 9).



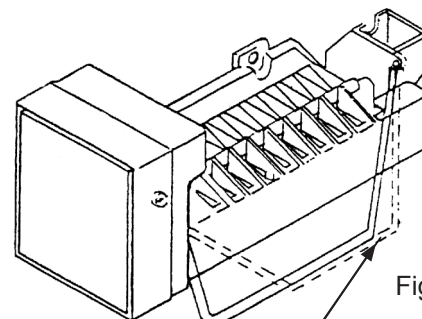
### Fonctionnement de la fabrication des glaçons

- L'appareil doit être installé bien d'aplomb pour le bon fonctionnement de la production des glaçons.
- La tige du bras de coupure doit être abaissée en position la plus basse pour que la production de glaçons soit possible. (Voyez la Figure 10).
- Quand la section de congélation et de fabrication de glaçons a suffisamment refroidi, la machine va produire automatiquement des glaçons.
- Quand le bac à glaçons est plein, la machine à glaçons s'arrêtera automatiquement.
- Vous pouvez aussi arrêter manuellement la machine en relevant le bras de coupure en position de verrouillage tout en haut. (Voyez la Figure 10).

### REMARQUE

Il est recommandé que la machine à glaçons soit coupée en enlevant le bras, sinon des glaçons seront distribués sur le plancher du compartiment de congélateur.

Si les glaçons ne sont pas prélevés régulièrement, ils auront tendance à s'agglomérer dans le temps. Pour obtenir les meilleurs résultats, jetez les vieux glaçons produits et laissez la machine à glaçons en produire un nouveau lot de tout frais. Coupez la machine à glaçons en relevant le bras de coupure avant d'enlever le bac.



Bras baissé = machine activée

Bras relevé = machine arrêtée

### Entreposage bref ou prolongé de la machine à glaçons :

Quand le fonctionnement de l'appareil doit être arrêté pour un certain temps, le moule de fabrication des cubes de glace dans la machine à glaçons doit être vidé, en permettant à la machine à glaçons d'en distribuer pendant que l'alimentation en eau est coupée.

1. Coupez l'alimentation en eau.
2. Levez le bras de coupure de la machine à glaçons.
3. Videz le bac à glaçons.
4. Remettez le bac à glaçons en place et rabaissez le bras de coupure.

La distribution des derniers cubes se fera dans les deux heures. Ensuite, videz, nettoyez et remettez en place le bac à glaçons, et relevez le bras de coupure.



## DIMENSIONS DU PRODUIT

MODÈLE	DIMENSIONS D'OUVERTURE BRUTE			DIMENSIONS D'ARMOIRE					
	«A»	«B»	«C»	«D»	«E»	«F»	«G»	«H»	«J»
MA15CRS	15 po (38,1 cm)	**31 $\frac{3}{8}$ po to 32 $\frac{3}{8}$ po (79,7 to 82,2 cm)	*	14 $\frac{1}{8}$ po (37,8 cm)	31 $\frac{1}{8}$ po to 32 $\frac{1}{8}$ po (79,1 to 81,6 cm)	21 $\frac{25}{32}$ po (55,3 cm)	23 $\frac{1}{16}$ po (60,2 cm)	35 $\frac{5}{16}$ po (90,5 cm)	16 $\frac{3}{16}$ po (42,1 cm)

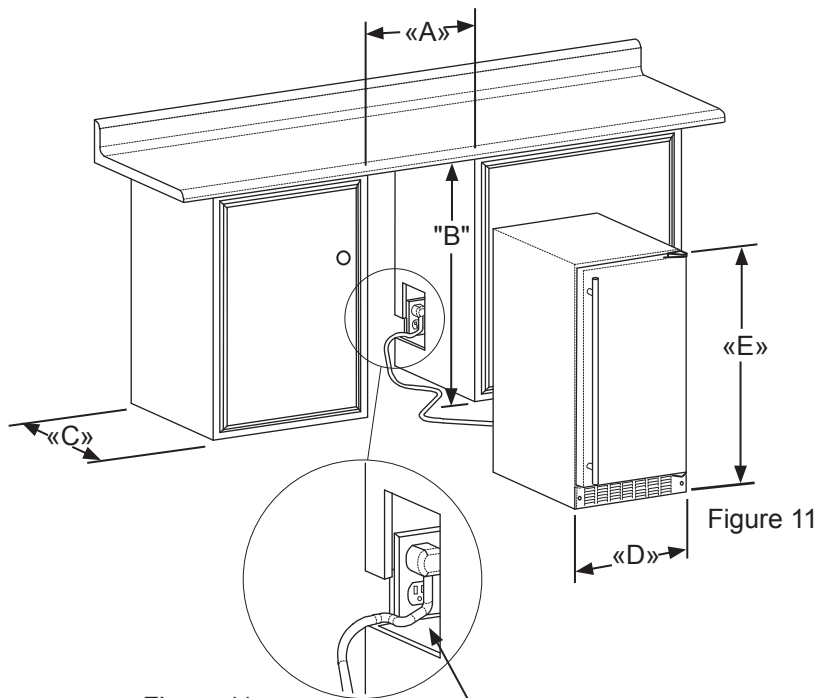


Figure 11a

Figure 11

S'il est nécessaire de gagner du dégagement à l'intérieur de l'ouverture brute, un trou peut être percé au travers du meuble adjacent et le cordon d'alimentation passé par ce trou jusqu'à une prise secteur. Une autre façon d'augmenter la profondeur disponible dans l'ouverture est d'encastrer la prise secteur dans le mur arrière afin de gagner l'épaisseur de la fiche du cordon. Tous les types de prises secteur encastrées ne fonctionneront pas pour cette application car elles pourraient être trop étroites, mais un modèle équivalent à l'Arlington #DVFR1W est recommandé pour cette application (Voyez la Figure 12).



Figure 12



## DIMENSIONS DU PRODUIT

DONNÉES DE PRODUIT		
MODÈLE	BESOINS ÉLECTRIQUES #	POIDS DU PRODUIT
MA15CRS	115V/60Hz/15A	86 lb (39,1 kg)

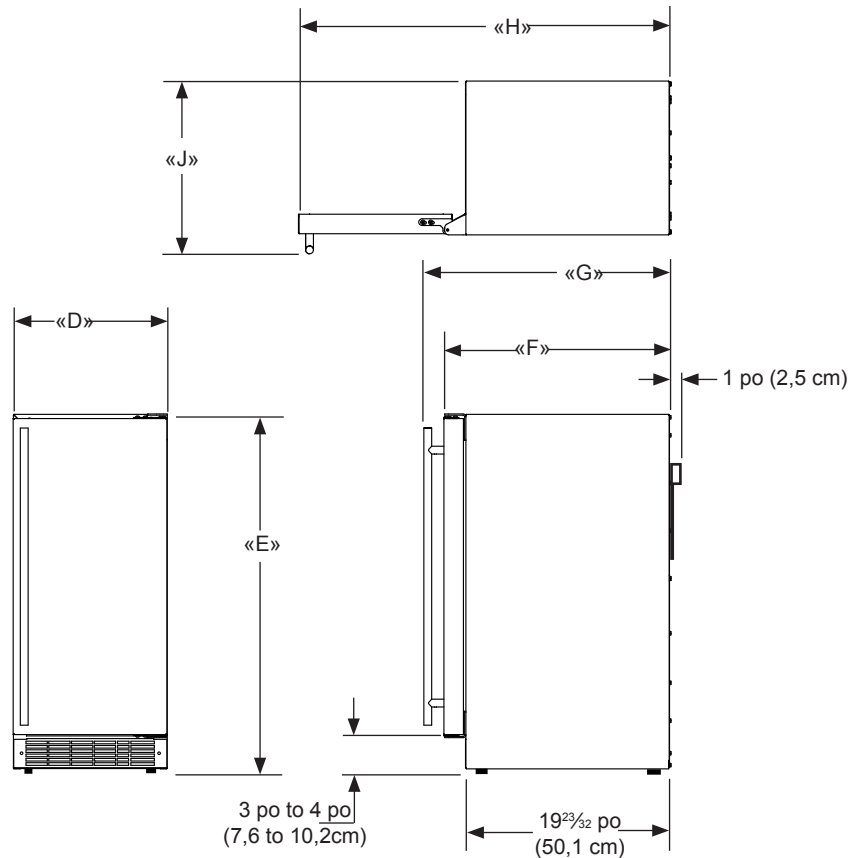


Figure 13

\* La dimension en profondeur de l'ouverture brute peut varier selon chaque installation individuelle. Pour ne pas faire dépasser toute la porte, la dimension «F» plus 1 po (2,5 cm) pour l'épaisseur de la fiche du cordon secteur est nécessaire.

\*\* L'ouverture brute minimale nécessaire doit être supérieure à la hauteur ajustée de l'armoire.

# Un circuit secteur dédié avec liaison de terre supportant 15 A est nécessaire. Appliquez toutes les normes de construction locales à l'installation de l'électricité et de l'appareil.

## L'ENTRETIEN ET LE NETTOYAGE



### ATTENTION

**RISQUE DE COMMOTION ÉLECTRIQUE :** Débranchez l'alimentation secteur de l'appareil avant de le nettoyer à l'eau savonneuse.

#### Armoire

L'armoire peinte peut se laver avec une solution savonneuse douce, puis soigneusement se rincer à l'eau potable. N'utilisez JAMAIS de produits nettoyants abrasifs.

#### Intérieur

Lavez le compartiment intérieur avec une solution savonneuse douce. N'utilisez pas de nettoyant abrasif, de solvant, de produit nettoyant/polissant ou de détergent non-dilué.

#### Soins pour l'appareil

1. Évitez de vous appuyer sur la porte, vous pourriez déformer ses charnières ou faire basculer l'appareil.
2. Faites attention quand vous balayez, aspirez ou passez la vadrouille près de l'avant de l'appareil. Vous pourriez endommager sa grille.
3. Nettoyez périodiquement l'intérieur de l'appareil selon le besoin.
4. Vérifiez périodiquement la grille frontale et les serpentins de condenseur, et nettoyez-les si nécessaire.

#### Instructions de dégivrage

1. Poussez l'interrupteur à bascule situé dans la grille avant en position d'arrêt (OFF).
2. Enlevez le seau à glaçons et placez une serviette dans la partie frontale inférieure de la machine à glaçons pour absorber l'eau de dégivrage.
3. Une fois le dégivrage terminé, remettez en place le seau à glaçons et repassez l'interrupteur à bascule en position de marche (ON).



### ATTENTION

N'utilisez pas de pic, de couteau ou n'importe quel outil acéré pour éliminer la glace. Vous risqueriez de percer le système de réfrigération de l'appareil et de l'endommager de façon irréparable. Vous pouvez accélérer le dégivrage en remplissant le seau à glaçons avec de l'eau chaude et en le remettant en place.

#### Les suggestions suivantes vont minimiser le coût de fonctionnement de votre appareil de refroidissement.

1. N'installez pas votre appareil près d'un autre appareil chaud (cuisinière, lave-vaisselle, etc.), d'une conduite d'air chaud, ou d'autres sources de chaleur.
2. Placez l'appareil à l'abri du rayonnement solaire direct.
3. Assurez-vous que les événements de la grille devant l'unité au-dessus de la porte ne sont pas obstrués et maintenus propres de façon à permettre une ventilation du système de refroidissement et chasser la chaleur.
4. Branchez votre appareil sur un circuit d'alimentation secteur dédié (Sans partage avec d'autres appareils).
5. En maintenant un compartiment d'entreposage relativement plein, il faut moins de périodes de fonctionnement en refroidissement de l'appareil qu'avec un compartiment vide.
6. Minimisez la fréquence et la durée des ouvertures de porte.
7. Utilisez le point de consigne de température le plus haut qui respecte votre préférence personnelle, et fournissez l'entreposage qui convient pour vos denrées conservées.
8. Quand vous êtes en vacances ou absent pendant de longues périodes, réglez l'appareil à la température la plus élevée acceptable pour son contenu conservé.
9. Réglez le contrôle en position d'arrêt (off) si le nettoyage de l'appareil nécessite que sa porte reste ouverte pour une période longue.

# ALIGNEMENT DE PORTE ET OBTENTION DE SERVICE

## Alignement de porte pour modèles à porte pleine et vitrée :

La porte doit être parallèle avec les côtés et le dessus de l'armoire. Si un alignement est nécessaire, la porte peut être ajustée en desserrant les deux vis qui maintiennent la cornière de réglage de porte en bas de la porte (Voyez la Figure 14a), et en opérant un réglage latéral de la porte. Utilisez une clé Allen de  $\frac{5}{32}$  po pour cette procédure (Voir la Figure 14 ci-dessous). Quand l'alignement de porte est terminé, resserrez bien ces vis.

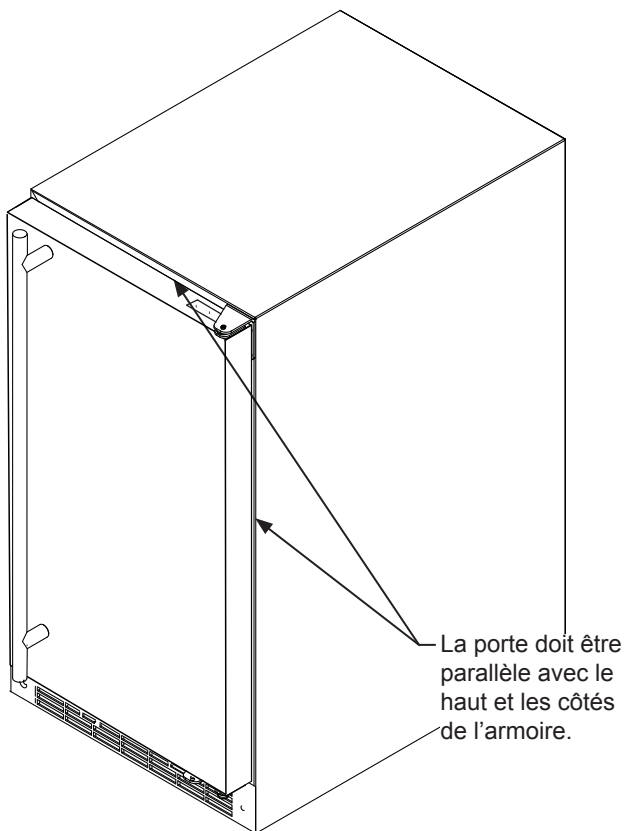


Figure 14

## Si du service est nécessaire :

- Si le produit est encore dans sa première année de garantie, veuillez appeler le service à la clientèle d'AGA MARVEL au 800.223.3900 pour avoir des instructions sur la façon d'obtenir une couverture sous garantie dans votre secteur.
- Si le produit est sorti de sa première année de garantie, le service à la clientèle d'AGA MARVEL peut vous fournir des recommandations sur les centres de service de votre secteur. Une liste des centres de service agréés est également disponible sur le site [www.agamarvel.com](http://www.agamarvel.com) sous la section de service et d'assistance.
- Dans toute correspondance relative au service, assurez-vous de bien fournir la référence de modèle, le numéro de série et le la facture d'achat.
- Essayez de donner des informations ou une description de la nature du problème, sur la durée pendant laquelle l'appareil a fonctionné, sur les températures de la pièce et de l'eau, et toutes les informations qui peuvent être utiles pour une résolution rapide du problème.
- Le Tableau «A» est fourni pour enregistrer les informations pertinentes sur votre produit, comme référence ultérieure.

Pour vos archives	
Date d'achat	
Nom du revendeur	
Adresse du revendeur	
Ville du revendeur	
État/province du revendeur	
Code Zip/postal du revendeur	
N° de série de l'appareil	
N° de série de l'appareil	
Date d'envoi de la carte de garantie (à faire dans les 10 jours après l'achat)	

Tableau A

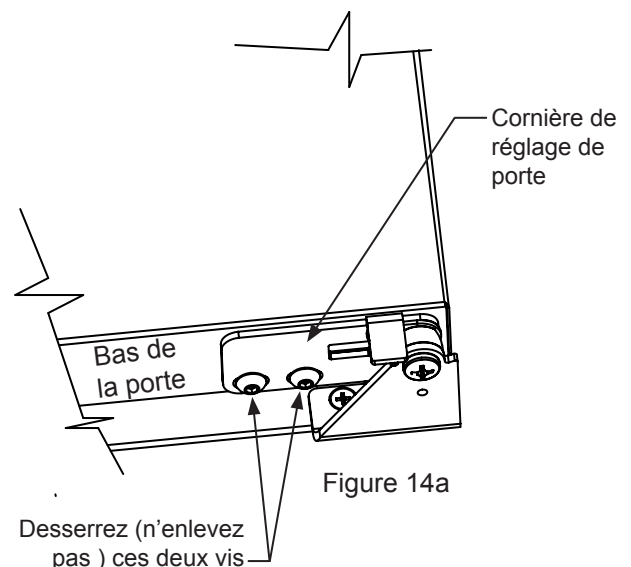


Figure 14a

## DÉPANNAGE DE VOTRE MACHINE À GLAÇONS

### Avant d'appeler pour du service

Si l'appareil semble présenter un dysfonctionnement, commencez par bien relire son manuel. Si le problème persiste, consultez le guide de dépannage qui suit. Identifiez le problème dans ce guide et consultez les colonnes de causes et de remèdes avant d'appeler pour du service. Le problème peut être quelque chose de très simple qui peut se résoudre sans demander une intervention de service. Cependant, il peut être nécessaire de contacter votre revendeur ou un technicien de service qualifié.



### AVERTISSEMENT

#### Risque d'électrocution

- Ne tentez jamais de réparer ou d'exécuter de la maintenance sur l'appareil avant que son alimentation électrique n'ait été débranchée en amont. Passer l'appareil sur arrêt (OFF) n'enlève pas la présence de tension secteur sur les fils de câblage.
- Remettez en place l'ensemble des pièces et panneaux avant de redémarrer.

Problème	Cause possible	Correction
L'appareil fonctionne mais ne produit pas de glaçons.	<ul style="list-style-type: none"> <li>• L'appareil vient d'être démarré depuis moins de 24 heures.</li> <li>• L'arrivée d'eau n'est pas ouverte.</li> <li>• La pression d'eau arrivant à l'appareil est incorrecte.</li> <li>• Le bras de coupure de la machine à glaçons est resté en position la plus en haut.</li> <li>• La section de congélation n'a pas atteint sa température.</li> <li>• Le thermostat de contrôle a une consigne trop chaude</li> <li>• Le flux d'air de ventilation du condenseur est réduit.</li> <li>• La température de la pièce et/ou de l'arrivée d'eau est trop élevée.</li> </ul>	<ul style="list-style-type: none"> <li>• La production type de glaçons est de 12 livres (5,44 kg) par jour. Laissez la section de congélation descendre à sa température, et la machine à glaçons fonctionner cycliquement et accumuler des glaçons.</li> <li>• Ouvrez l'arrivée d'eau vers l'appareil.</li> <li>• La pression d'eau à l'appareil doit faire au moins 20 psi.</li> <li>• Quand le bras de coupure de la machine reste en position la plus haute, la machine est à l'arrêt. Abaissez ce bras pour démarrer la machine à glaçons.</li> <li>• Laissez la section de congélation atteindre sa bonne température.</li> <li>• Passez la commande de consigne de température sur un chiffre plus élevé pour que l'appareil devienne plus froid. Laissez 24 heures avant d'ajuster à nouveau la consigne de température.</li> <li>• Assurez-vous que la grille sur l'avant de l'appareil est dégagée et ouverte pour que l'air circule bien. Nettoyez cette grille si besoin est.</li> <li>• Déplacez l'appareil dans une zone où la température ambiante est inférieure à 90°F (32 °C). Il ne faut pas la placer près d'une source de chaleur telle qu'un four. Vérifiez que le raccordement est bien sur de l'eau froide.</li> </ul>
Les cubes de glace sont petits	<ul style="list-style-type: none"> <li>• L'arrivée d'eau peut nécessiter un réglage.</li> </ul>	<ul style="list-style-type: none"> <li>• Du fait de pressions d'eau différentes, l'arrivée d'eau à la machine à glaçons peut nécessiter un ajustement. Contactez un technicien qualifié.</li> </ul>
Les glaçons se collent les uns aux autres.	<ul style="list-style-type: none"> <li>• La consommation de glaçons est trop faible.</li> <li>• La température de la pièce est trop élevée.</li> </ul>	<ul style="list-style-type: none"> <li>• Utilisez plus fréquemment des glaçons du bac. Les glaçons vont se coller s'ils sont laissés trop longtemps dans le bac isolé.</li> <li>• Déplacez l'appareil dans une zone où la température ambiante est inférieure à 90°F (32 °C).</li> </ul>

## DÉPANNAGE DE VOTRE MACHINE À GLAÇONS

Problème	Cause possible	Correction
L'appareil est trop chaud ou trop froid à l'intérieur.	<ul style="list-style-type: none"> <li>• Le contrôle a une consigne trop chaude ou trop froide</li> <li>• La température du contenu n'est pas encore stabilisée.</li> <li>• Utilisation excessive ou ouvertures prolongées de la porte.</li> <li>• Blocage du flux d'air de la grille frontale.</li>   <li>• Défaut d'étanchéité du joint de porte.</li> </ul>	<ul style="list-style-type: none"> <li>• Réglez la consigne de température pour plus chaud ou plus froid selon le besoin. Laissez stabiliser la température 24 heures.</li> <li>• Laissez la température se stabiliser pendant au moins 24 heures.</li> <li>• Le flux d'air ne doit pas être obstrué à la grille frontale. Consultez les valeurs d'écartements en page 4.</li> <li>• Vérifiez l'alignement de porte et/ou changez le joint de porte.</li> </ul>
Bruit ou vibration	<ul style="list-style-type: none"> <li>• L'appareil n'est pas d'aplomb.</li>   <li>• La vibration vient du tube d'arrivée d'eau.</li> </ul>	<ul style="list-style-type: none"> <li>• Mettez l'armoire d'aplomb, voyez en page 4 le réglage des pieds de mise à niveau.</li> <li>• Ajustez la forme du tube si nécessaire pour éliminer les vibrations inopportunes.</li> </ul>
L'appareil ne fonctionne pas.	<ul style="list-style-type: none"> <li>• L'appareil est à l'arrêt.</li>   <li>• Le cordon secteur n'est pas branché.</li> <li>• La prise secteur n'est pas alimentée.</li> </ul>	<ul style="list-style-type: none"> <li>• Mettez l'appareil en marche. Voyez en page 7 la section sur la fixation de consigne de température.</li> <li>• Branchez la fiche du cordon.</li> <li>• Vérifiez l'alimentation électrique de votre maison.</li> </ul>
De l'humidité s'accumule sur la surface extérieure de l'armoire.	<ul style="list-style-type: none"> <li>• Le temps est chaud et humide.</li> </ul>	<ul style="list-style-type: none"> <li>• Des conditions ambiantes très chaudes et humides peuvent causer de la condensation sur l'extérieur de l'armoire. Quand la conjugaison de chaleur et d'humidité baisse, la condensation disparaît.</li> </ul>
De l'humidité s'accumule sur la surface intérieure de l'appareil.	<ul style="list-style-type: none"> <li>• Les ouvertures de porte sont trop nombreuses.</li> <li>• Les ouvertures de porte durent trop longtemps.</li> <li>• Le temps est chaud et humide.</li> </ul>	<ul style="list-style-type: none"> <li>• Limitez le nombre d'ouvertures de porte.</li> <li>• Limitez la durée pendant laquelle la porte reste ouverte.</li> <li>• Le temps est chaud et humide. Déplacez l'appareil dans un environnement climatisé.</li> </ul>

# GARANTIE DE PRODUIT À USAGE DOMESTIQUE

## Produit complet

### Garantie limitée d'un an sur pièces et main-d'œuvre

AGA MARVEL garantit qu'il fournira toutes les pièces et la main-d'œuvre nécessaires pour réparer ou remplacer, au domicile ou au bureau de l'utilisateur final, tout composant avéré défectueux du fait des matériaux ou de la main-d'œuvre, en tenant compte des conditions et exclusions décrites plus bas, pendant une période d'une année à compter de la date d'achat par l'utilisateur final.

### Garantie limitée supplémentaire sur les pièces uniquement de la deuxième à la cinquième année

Durant les quatre ans qui suivent l'expiration de la garantie limitée d'un an, AGA MARVEL va fournir des pièces de remplacement pour le système de refroidissement hermétiquement scellé (constitué de : compresseur, condenseur, déshydrateur, accumulateur, vanne de contournement, tube de raccordement et évaporateur), s'il s'avère défectueux du fait des matériaux ou de la main-d'œuvre, en tenant compte des conditions et exclusions qui suivent.

Les garanties précédentes ne couvrent pas :

- Les coûts d'expédition des pièces de remplacement ou des pièces défectueuses renvoyées.
- L'éducation du client ou des instructions sur la façon d'utiliser l'appareil
- Toute perte de contenu due à une panne de produit.
- Le déplacement ou l'installation du produit.

Les garanties qui précèdent ne couvrent pas non plus une panne de ce produit ou de ses composants due à :

- Transport ou dommages consécutifs au transport.
- Utilisation commerciale, ou autre qu'un usage domestique normal ou un usage dans un petit bureau.
- Une utilisation incorrecte, un mésusage, un abus, un accident ou une altération, un câblage de raccordement non conforme aux normes électriques, une tension secteur trop élevée ou trop faible, un défaut d'entretien notoire, ou toute autre utilisation non raisonnable.

## Pièces ou service

### Non fourni ou désigné par AGA MARVEL

Les garanties qui précèdent ne s'appliquent pas non plus si :

- L'acte de vente d'origine, la date de livraison, ou le numéro de série ne peuvent pas être vérifiés.
- Les pièces défectueuses ne sont pas renvoyées pour inspection si c'est demandé par AGA MARVEL.
- L'équipement de refroidissement n'est plus en la possession de l'acheteur utilisateur final d'origine.

Les garanties décrites ici sont les seules fournies par AGA MARVEL. Toutes les garanties implicites, y compris la garantie implicite de valeur marchande, sont limitées à la durée des garanties explicites. En aucun cas AGA MARVEL ne sera tenu pour responsable de tous dommages ou dépenses consécutifs ou annexes, résultant d'une inobservation de ces garanties ou d'autres garanties, qu'elles soient explicites ou implicites.

Certains États et certaines Provinces ne permettent pas l'exclusion ou la limitation des dommages consécutifs ou une limitation de la durée applicable des garanties implicites, dont la limitation ou exclusion qui précède ne peut pas être applicable à votre cas. Cette garantie vous donne des droits légaux spécifiques, et vous pouvez avoir d'autres droits qui peuvent varier d'un État à un autre.

Aucune personne, firme ou corporation, n'est autorisée à donner une garantie différente, ni à assumer une quelconque autre obligation pour AGA MARVEL. Ces garanties ne s'appliquent qu'à des produits utilisés dans un des cinquante des États-Unis d'Amérique et dans le District de Columbia.

Pour obtenir une action dans le cadre de cette garantie, signalez tous les défauts constatés à :

**AGA MARVEL**  
1260 E. VanDeinse St.  
Greenville MI 48838

Phone: 800.223.3900





[www.agamarvel.com](http://www.agamarvel.com)

**AGA MARVEL**

1260 E. VanDeinse St.  
Greenville MI 48838

800.223.3900

41013942-FR Rev A  
5/13/15

Toutes les spécifications et les conceptions des produits sont sujet à des changements sans préavis. De telles révisions ne donnent aucun droit pour l'acheteur de produits antérieurs à bénéficier de ces changements, améliorations, ajouts, remplacements, ni de recevoir une compensation.



**EN** Installation, Operation and Maintenance Instructions  
**FR** Instructions d'installation, d'utilisation et d'entretien  
**ES** Instrucciones de instalación, operación y mantenimiento

Crescent Ice Machine  
Machine à glaçons  
Máquina de hielo

**MA15CR**



# ÍNDICE

## Índice:

Información de seguridad.....	2
Desembalaje de su artefacto.....	3
Registro de garantía.....	3
Instalación de su artefacto.....	4
Espacios libres alrededor del gabinete.....	4
Nivelación del artefacto.....	4
Conexión eléctrica.....	5
Instalación del suministro de agua.....	6
Operación de la máquina de hielo.....	7
Dimensiones del producto.....	8
Cuidado y limpieza.....	10
Consejos para ahorrar energía.....	10
Alineación de la puerta.....	11
Cómo obtener servicio.....	11
Localización de fallas.....	12
Garantía.....	14

## Instrucciones importantes de seguridad

Las advertencias e instrucciones de seguridad que aparecen en esta guía no se proponen tratar todas las condiciones y situaciones que pueden ocurrir. Deben aplicarse el sentido común, la precaución y el cuidado al instalar, mantener y operar este artefacto.

## Reconozca los símbolos, palabras y etiquetas de seguridad.



### ADVERTENCIA

**ADVERTENCIA** - Si no sigue las instrucciones, usted puede morir o sufrir una lesión grave.



### PRECAUCION

**PRECAUCIÓN**-Riesgos o procedimientos inseguros que podrían provocar lesiones personales o daños materiales o al producto.

### NOTA

**NOTA**-Información importante que ayuda a asegurar una instalación y operación libres de problemas.

Advertencias de la Proposición 65 del estado de California:

**ADVERTENCIA:** Este producto contiene una o más sustancias químicas identificadas por el estado de California como causantes de cáncer.

**ADVERTENCIA:** Este producto contiene una o más sustancias químicas identificadas por el estado de California como causantes de defectos congénitos o algún otro tipo de daños en la función reproductora.

**AGA MARVEL** se compromete a construir un producto de calidad en una forma compatible con el medio ambiente. Nuestros procesos se controlan de manera rigurosa y se monitorean cuidadosamente. Hemos logrado certificaciones en ISO 9001 para el aseguramiento de la calidad, ISO 14001 para la gestión ambiental y OHSAS 18001 para la seguridad y salud ocupacional de Lloyd's Register Quality Assurance.



# DESEMBALAJE DE SU ARTEFACTO



## ADVERTENCIA

### RIESGO DE PESO EXCESIVO

Se necesitan dos o más personas para mover el producto. Si no se procede así, pueden producirse lesiones personales.

### Retiro del embalaje interior

Su artefacto se ha embalado para el transporte con todas las piezas que pudieran dañarse por el movimiento sujetas firmemente. Retire los materiales de empaque internos y -si las hubiera- las cintas que sujetan los componentes. El manual del usuario se envía dentro del producto en una bolsa de plástico junto con la tarjeta de registro de garantía y otros accesorios.

### Importante

Conserve la caja y el material de embalaje hasta que su artefacto se haya inspeccionado bien a fondo y se haya comprobado que está en buenas condiciones. Si hubiera daños, se necesitará el material de embalaje como una prueba del daño en tránsito. Luego, elimine todos los elementos de manera responsable.



## PRECAUCION

Elimine las bolsas de plástico, ya que pueden presentar un riesgo de asfixia.

### Nota para el cliente

Esta mercancía se embaló en forma cuidadosa y se inspeccionó bien a fondo antes de salir de nuestra planta. La responsabilidad por su entrega segura fue asumida por el comerciante minorista al aceptar el envío. Los reclamos por pérdida o daños sufridos en el tránsito deben presentarse al comerciante minorista.

## NOTA

NO REGRESE MERCANCÍA DAÑADA AL FABRICANTE; PRESENTE EL RECLAMO AL COMERCIANTE MINORISTA.



## PRECAUCION

Si el artefacto se transportó, manejó o almacenó en una posición diferente de la vertical durante cualquier intervalo de tiempo, deje que permanezca en posición vertical durante 24 horas como mínimo antes de enchufarlo. Esto asegurará que el aceite regrese al compresor. Si se enchufa el artefacto de inmediato, pueden dañarse algunas piezas internas.

### Registro de garantía

Es importante que envíe su tarjeta de registro de la garantía inmediatamente después de haber recibido su artefacto; también puede registrarlo a través de Internet en la página [www.agamarvel.com](http://www.agamarvel.com).

Registro en línea  
disponible en  
[www.agamarvel.com](http://www.agamarvel.com)

Cuando registre su artefacto se le solicitará la información siguiente:

Número de servicio

Número de serie

Fecha de la compra

Nombre y dirección del comerciante

El número de servicio y el número de serie pueden encontrarse en la placa de identificación que está ubicada dentro del gabinete, en el lado izquierdo cerca de la parte superior (vea la Figura 1).

<b>AGA MARVEL</b> GREENVILLE, MI 48838				
MODEL NO.	<input type="text"/>			
SERVICE NO.	<input type="text" value="XXXXXXXXXXXX"/>			
SERIAL NO.	<input type="text" value="XXXXXXXXXXXX"/>			
HZ <input type="text"/>	VOLTS <input type="text"/>	AMPS <input type="text"/>	R134A <input type="text"/>	oz <input type="text"/>
TEST PRESSURE 140 PSI LOW SIDE 300 PSI HIGH SIDE				

Figura 1



## PRECAUCION

### Ayude a prevenir tragedias

El atrapamiento y la asfixia de niños no son problemas del pasado. Los refrigeradores desguazados o abandonados siguen siendo peligrosos, aun cuando se los haya dejado 'sólo por unos pocos horas'.

Si va a deshacerse de su viejo refrigerador, observe las instrucciones que siguen a fin de ayudar a prevenir accidentes.

Antes de tirar su viejo refrigerador o congelador:

- Extraiga las puertas o retire los estantes.
- Deje los estantes en su lugar, de modo que los niños no puedan trepar fácilmente al interior.

# INSTALACIÓN DE SU ARTEFACTO

## Selección de la ubicación

La ubicación adecuada asegurará el desempeño óptimo de su artefacto. Recomendamos una ubicación en la que la unidad esté a cubierto de la luz solar directa y lejos de fuentes de calor. Para asegurar que su producto funcione de acuerdo con las especificaciones, el rango de temperaturas recomendado para la ubicación de instalación es de 65 to 90°F (18 to 32°C).

## Espacios libres alrededor del gabinete

Se necesita ventilación desde la parte delantera inferior del artefacto. Mantenga esta área abierta y libre de toda obstrucción. Pueden instalarse gabinetes adyacentes y una cubierta alrededor del artefacto, siempre que la rejilla frontal permanezca sin obstrucciones. Los modelos con puerta decorativa y bisagras articuladas están destinados únicamente a aplicaciones empotradas.

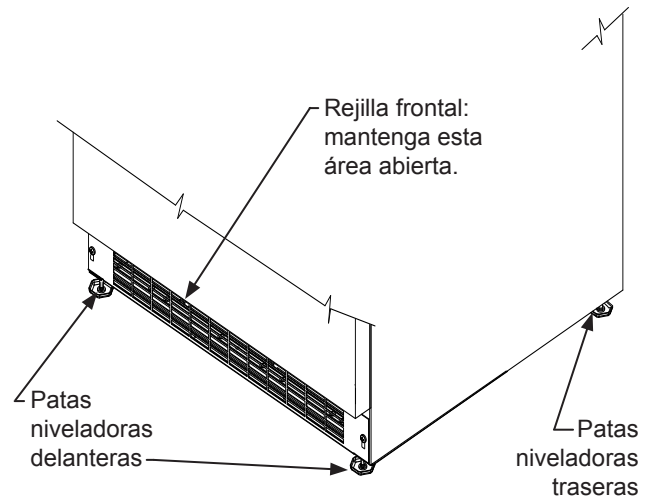


Figura 2



## PRECAUCIÓN

### Rejilla frontal

No obstruya la rejilla frontal. Las aberturas de la rejilla frontal permiten que el aire circule a través del intercambiador de calor del condensador. Las restricciones a esta circulación de aire darán como resultado mayor consumo de energía y pérdida de la capacidad de enfriamiento. Por esta razón es importante que esta área no esté obstruida y que las aberturas de la rejilla se mantengan limpias. AGA MARVEL no recomienda el uso de una rejilla de construcción especial, ya que la circulación de aire puede verse restringida (vea la Figura 2).

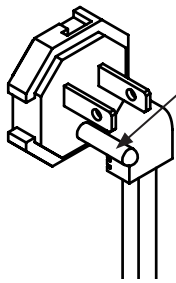
### Patatas niveladoras traseras

Las patas ajustables que están en las esquinas delanteras y traseras del artefacto deben regularse de modo que la unidad quede posicionada firmemente sobre el piso, y nivelada de lado a lado y del frente al fondo. La altura total de su artefacto Marvel puede ajustarse entre la dimensión mínima, 31 $\frac{1}{8}$ " (79.1 cm), (girando la pata niveladora hacia adentro CW ↻) y la máxima, 32 $\frac{1}{8}$ " (81.6 cm), (girando la pata niveladora hacia afuera CCW ↻).

Para ajustar las patas niveladoras, coloque el artefacto sobre una superficie sólida y proteja la zona del piso que está debajo de las patas, para evitar rayarlo. Con la ayuda de otra persona, incline el artefacto hacia atrás para tener acceso a las patas niveladoras. Haga girar las patas para subirlas o bajarlas hasta la dimensión requerida. Repita este proceso para la parte trasera inclinando con cuidado el artefacto hacia adelante. Verifique la nivelación del artefacto sobre una superficie nivelada, y ajuste según sea necesario.

Los tornillos de la rejilla frontal pueden aflojarse para ajustar la rejilla a la altura deseada. Cuando finalice el ajuste, apriete los dos tornillos de la rejilla frontal (vea la Figura 5).

# INSTALACIÓN DE SU ARTEFACTO



No quite la clavija de puesta a tierra del cordón de alimentación eléctrica.

Figura 3

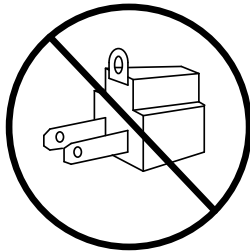


Figura 4

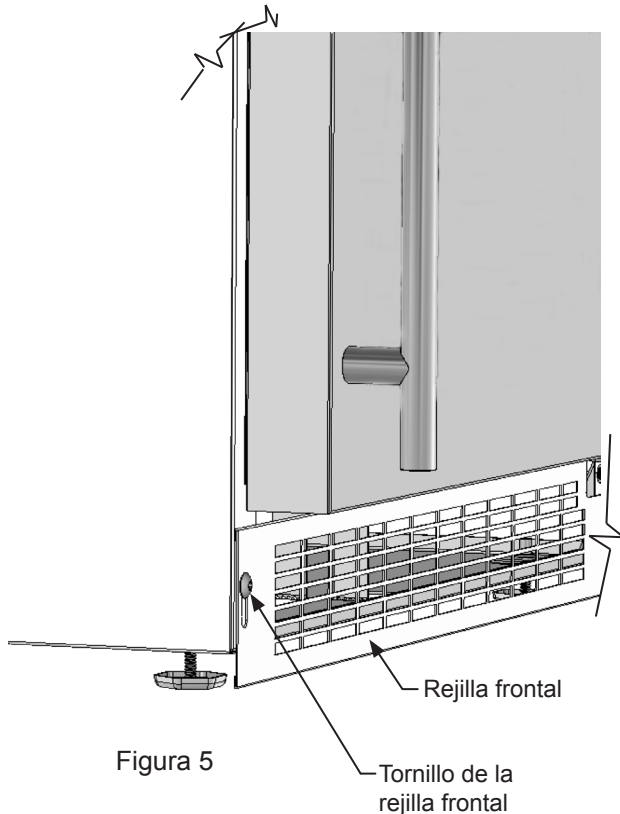


Figura 5



## ADVERTENCIA

### Peligro de choque eléctrico

- No utilice cordones de extensión con este artefacto. Pueden ser peligrosos, y pueden degradar el funcionamiento del producto.
- Este artefacto no debe conectarse en ninguna circunstancia a un suministro eléctrico sin conexión a tierra.
- No quite la clavija de puesta a tierra del cordón de alimentación eléctrica. (vea la Figura 3).
- No use un adaptador. (vea la Figura 4).
- No salpique ni rocíe agua desde una manguera sobre el artefacto. Si lo hace puede causar un choque eléctrico, que puede provocar lesiones graves o la muerte.

### Conexión eléctrica

Se necesita un circuito dedicado de 115 volts, 15 amperes.

Este producto está equipado de fábrica con un cordón de alimentación eléctrica que tiene un enchufe de tres clavijas con puesta a tierra. Debe enchufarse en un tomacorriente compatible con puesta a tierra, de acuerdo con el Código Eléctrico Nacional de los EE. UU., así como los códigos y ordenanzas locales que sean aplicables (vea la Figura 6). Si el circuito no tiene un tomacorriente con puesta a tierra, es responsabilidad y obligación del cliente proporcionar el suministro eléctrico correcto. No debe cortarse ni quitarse la tercera clavija de tierra bajo ninguna circunstancia.

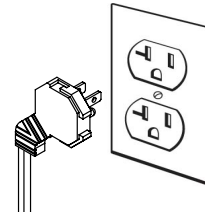


Figura 6

## NOTA

Los interruptores de falla a tierra (GFCI) son propensos a los falsos disparos, que harán que el artefacto se apague. Los GFCI no se usan por lo general en circuitos con equipos motorizados que deben funcionar desatendidos durante períodos prolongados, a menos que sea necesario para cumplir con los códigos y ordenanzas de edificación locales.

# INSTALACIÓN DEL SUMINISTRO DE AGUA

## Suministro de agua



### PRECAUCION

Observe y cumpla con todos los códigos de edificación locales cuando instale este artefacto.

Use para el suministro de agua un tubo de cobre de 1/4", que puede obtenerse en cualquier tienda de artículos de plomería o ferretería local. Doble el tubo de cobre de 1/4" como corresponda a su instalación; asegúrese de no retorcerlo. Compre un trozo suficiente de tubo de cobre y enróllelo detrás de la unidad para formar un 'bucle de servicio' que permita retirar el artefacto de la instalación para su servicio o limpieza. Conecte el tubo de cobre al 'lado superior' de una tubería de agua fría para impedir que la máquina de hielo se tapone con sedimentos.

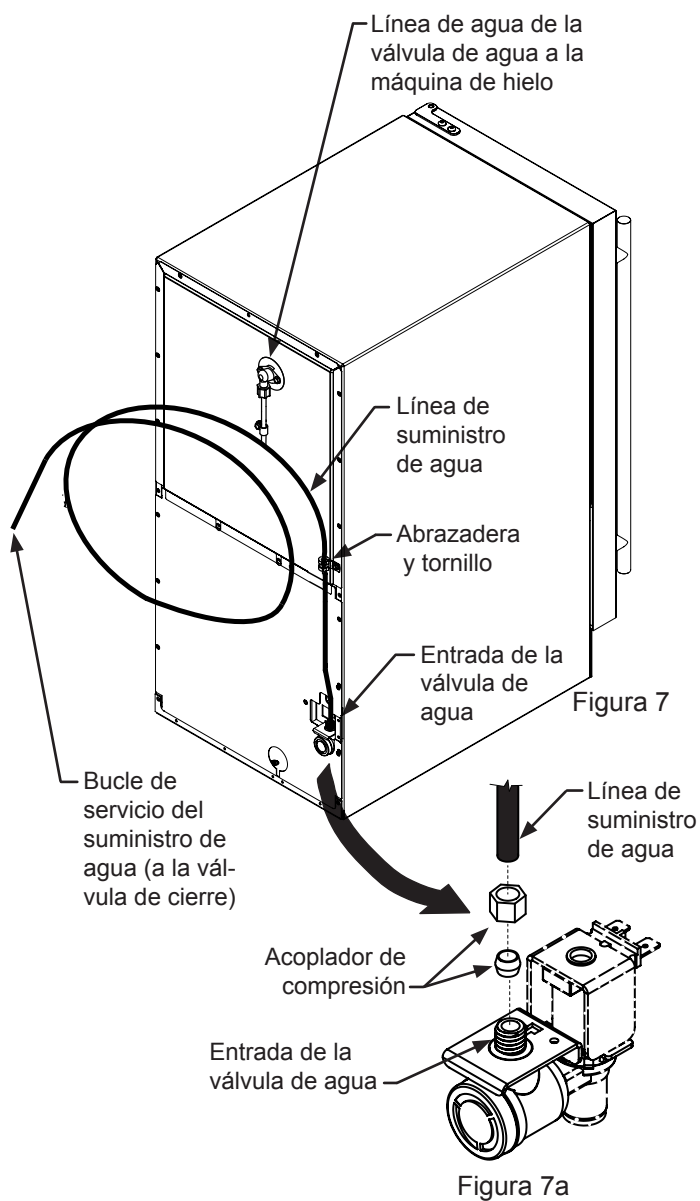
Se recomienda colocar en la línea de suministro de agua una válvula de cierre para facilitar la prestación de servicio al artefacto.

**NOTA: NO SE RECOMIENDA EL USO DE UNA VÁLVULA DEL TIPO AUTOPERFORANTE**, ya que estas válvulas son propensas a atascarse con sedimentos, los que crearán una caída de presión que reducirá el suministro de agua a la unidad.

Conecte el tubo de cobre del suministro de agua entrada de la válvula de agua con tuerca de compresión suministrado. Asegure la línea de suministro de agua a la parte trasera del gabinete con el tornillo y la abrazadera provistos en la esquina del panel trasero (vea la Figura 7).

La presión de agua debe ser de 20 psi como mínimo para una operación correcta, y de 120 psi como máximo.

Asegúrese de que todas las conexiones de agua sean estancas después de la instalación. Conforme el tubo de manera que no vibre contra el cuerpo del gabinete ni se retuerza cuando se coloque el artefacto en su posición.



### NOTA

- No utilice ningún sellador de roscas en estos acopladores de línea de agua.
- No se recomienda el empleo de ósmosis inversa, agua ablandada ni agua desionizada, ya que afectarán desfavorablemente la calidad del hielo.

# OPERACIÓN DE LA MÁQUINA DE HIELO

## PRECAUCION

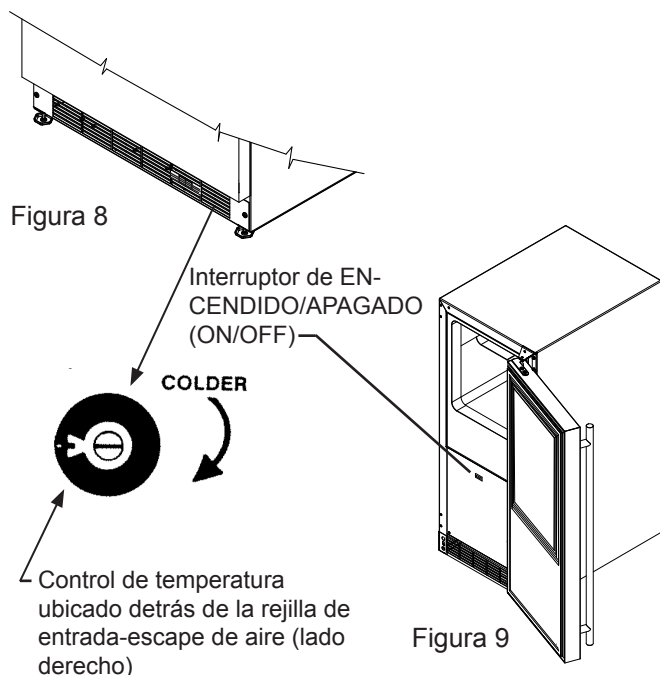
Antes de encender la máquina de hielo debe activarse el suministro de agua de la misma. Si no se hace así, se producirá un ciclado seco rápido del calentador del molde de la máquina de hielo, lo que va a dar como resultado problemas de control de temperatura en el compartimiento del congelador.

## Encendido de la máquina de hielo

Después de conectar el suministro de agua, y de instalar su máquina de hielo en su sitio, enchufe el cable de alimentación en el tomacorriente de pared. Luego coloque el interruptor, ubicado detrás de la puerta y debajo del compartimiento de hielo (vea la Figura 9), en la posición de ENCENDIDO (ON). El control de temperatura es preajustado en fábrica, permita que el fabricante de hielo funcione durante 24 horas para que la temperatura interior se establezca. Si usted desea ajustar la temperatura interior, introduzca un destornillador de pala pequeño a través del lado derecho de la rejilla para girar el eje del control de temperatura. Al girarlo en sentido horario se hará que la unidad sea más fría. Al girarlo en sentido antihorario se hará que la unidad sea menos fría. Cuando el eje de control de temperatura se gira en sentido antihorario hasta que éste se detenga, se apagará el compresor y el motor del ventilador.

## PRECAUCION

Si usted apaga su control, espere al menos cinco (5) minutos antes de reanudar con el fin de dar tiempo para que el control del motor se reinicie automáticamente y pueda reanudar el motor. La energía eléctrica hacia su unidad es controlada mediante el interruptor de ENCENDIDO/APAGADO (ON/OFF) ubicado detrás de la puerta y debajo del compartimiento de hielo (vea la Figura 9).



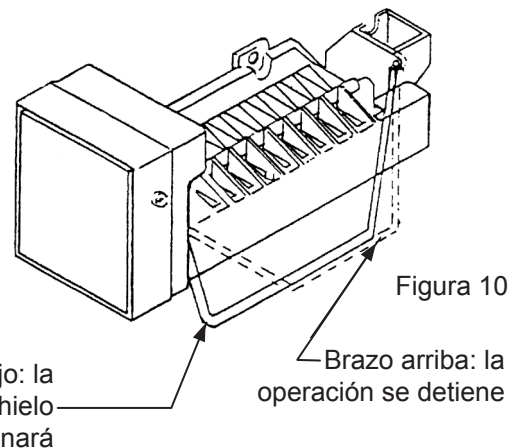
## Operación de la máquina de hielo

- La unidad debe instalarse nivelada para la correcta operación de la máquina de hielo.
- Para que funcione la máquina de hielo, el alambre del brazo de corte debe estar bajado hasta su posición extrema inferior (vea la Figura 10).
- Cuando la unidad de la sección del congelador y la máquina de hielo se haya enfriado lo suficiente, la máquina recolectará cubos de hielo automáticamente.
- Cuando la cubeta de hielo esté llena, la máquina de hielo se apagará automáticamente.
- Puede detener manualmente la máquina de hielo elevando el brazo de corte hasta la posición de bloqueo, que es la posición extrema superior (vea la Figura 10).

## NOTA

Se recomienda apagar la máquina de hielo cuando se quite la cubeta; de lo contrario, se dispensará hielo que irá al piso del compartimiento del congelador.

Si no se utiliza el hielo regularmente, con el tiempo se amontonará. Para obtener los mejores resultados con el hielo, deseche el hielo de la caja según sea necesario y permita que la máquina de hielo fabrique un nuevo lote de hielo fresco. Para apagar la máquina de hielo, eleve el brazo de corte antes de quitar la cubeta.



## Almacenamiento a corto y largo plazo de la máquina de hielo:

Cuando se va a discontinuar la operación del artefacto por un período de tiempo, el molde de los cubos de hielo de la máquina de hielo debe vaciarse, para lo que se debe permitir que la máquina dispense cubos con el suministro de agua cortado.

1. Corte el suministro de agua.
2. Eleve el brazo de gancho de la máquina.
3. Vacíe la cubeta de hielo.
4. Vuelva a colocar la cubeta de hielo en la unidad y baje el brazo de gancho.

La dispensación de los cubos debe producirse dentro de las 2 horas. Después de que se dispensen los cubos de hielo, vacíe, limpie y vuelva a colocar la cubeta de cubos de hielo, y eleve el brazo de gancho.



## DIMENSIONES DEL PRODUCTO

MODELO	DIMENSIONES DE LA ABERTURA DE INSTALACIÓN pulgadas (cm)			DIMENSIONES DEL GABINETE pulgadas (cm)					
	"A"	"B"	"C"	"D"	"E"	"F"	"G"	"H"	"J"
MA15CRS	15" (38,1 cm)	**31 <sup>3</sup> / <sub>8</sub> " a 32 <sup>3</sup> / <sub>8</sub> " (79,7 a 82,2 cm)	*	14 <sup>7</sup> / <sub>8</sub> " (37,8 cm)	31 <sup>1</sup> / <sub>8</sub> " a 32 <sup>1</sup> / <sub>8</sub> " (79,1 a 81,6 cm)	21 <sup>25</sup> / <sub>32</sub> " (55,3 cm)	23 <sup>1</sup> / <sub>16</sub> " (60,2 cm)	35 <sup>5</sup> / <sub>8</sub> " (90,5 cm)	16 <sup>9</sup> / <sub>16</sub> " (42,1 cm)

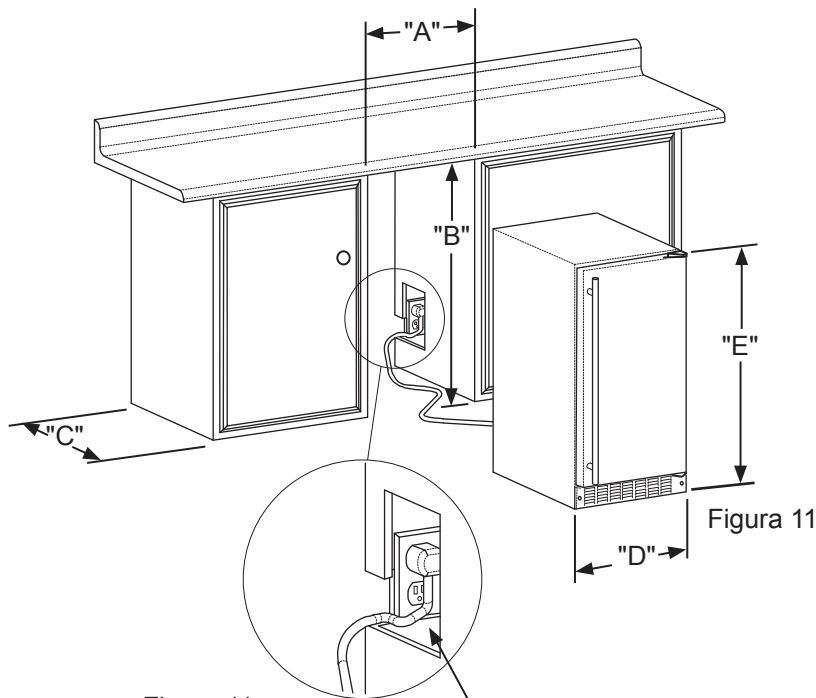


Figura 11a

Figura 11



Figura 12

Si fuera necesario ganar espacio libre dentro de la abertura de instalación, puede hacerse un agujero a través del gabinete adyacente y pasar el cordón de alimentación eléctrica a través de ese agujero hasta un tomacorriente. Otra manera de aumentar la profundidad disponible de la abertura es empotrar el tomacorriente eléctrico en la pared trasera para ganar el espesor del enchufe de alimentación eléctrica. No todas las cajas de tomacorriente empotradas serán apropiadas para esta aplicación por ser demasiado delgadas, por lo que se recomienda para esta aplicación una caja de tomacorriente empotrada equivalente a la Arlington #DVFR1W (vea la Figura 12).



## DIMENSIONES DEL PRODUCTO

DATOS DEL PRODUCTO		
MODELO	REQUISITOS ELÉCTRICOS #	PESO DEL PRODUCTO
MA15CRS	115V/60Hz/15A	86 lbs (39.1 kg)

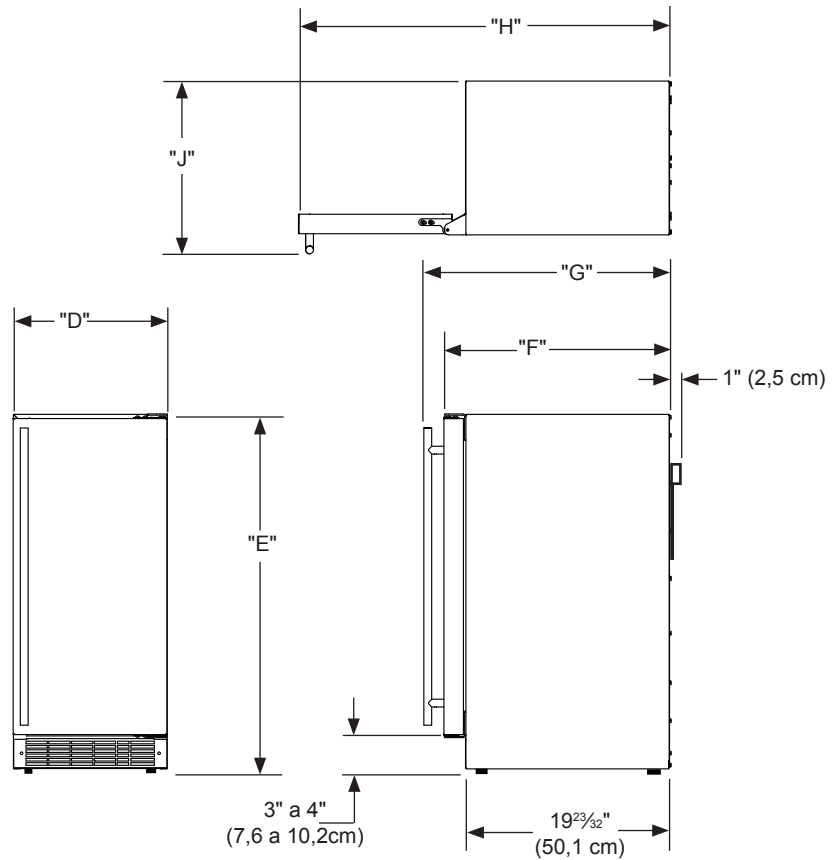


Figura 13

\* La dimensión de la profundidad de la abertura de instalación puede variar según cada instalación individual. Para empotrar la puerta completa se necesita la dimensión 'F' más 1" (2,5 cm) para el espesor del enchufe de alimentación eléctrica.

\*\* La abertura de instalación mínima requerida debe ser mayor que la altura ajustada del gabinete.

# Se necesita un circuito dedicado de 15 amperes con conexión a tierra. Cumpla con todos los códigos de edificación locales cuando instale el circuito eléctrico y el artefacto.

# CUIDADOS Y LIMPIEZA - CONSEJOS PARA AHORRAR ENERGÍA



## PRECAUCION

**PELIGRO DE CHOQUE ELÉCTRICO:** Desconecte la alimentación eléctrica del artefacto antes de limpiarlo con agua y jabón.

### Gabinete

El gabinete pintado puede lavarse con agua jabonosa tibia y enjuagarse con agua limpia. NUNCA use limpiadores abrasivos.

### Interior

Lave el compartimiento interior con agua jabonosa tibia. NO utilice limpiadores abrasivos, disolventes, limpiadores pulidores ni detergentes puros.

### Cuidado del artefacto

1. Evite apoyarse en la puerta, podría doblar las bisagras de la puerta o inclinar el artefacto.
2. Tenga cuidado al barrer, pasar la aspiradora o fregar cerca del frente del artefacto pues podría dañar la rejilla.
3. Limpie periódicamente el interior de la unidad según sea necesario.
4. Revise o limpie periódicamente la rejilla delantera según sea necesario.

## Instrucciones de descongelamiento

1. Coloque el interruptor, ubicado en la rejilla delantera, en la posición de APAGADO (OFF).
2. Remueva la cubeta de hielo y coloque una toalla en el área delantera inferior del fabricante de hielo para absorber el agua descongelada.
3. Después de finalizar el descongelamiento, coloque nuevamente la cubeta de hielo y presione el interruptor para colocarlo en la posición de ENCENDIDO (ON).



## PRECAUCION

No utilice un punzón para hielo, cuchillo o cualquier tipo de objeto filoso para remover el hielo. Al hacerlo así se podría perforar el sistema de refrigerante de la unidad y dañarlo de manera ir-reparable. Usted puede acelerar el descongelamiento llenando la cubeta de hielo con agua caliente y colocándola de regreso en su posición.

## Las siguientes sugerencias reducirán al mínimo el costo de utilización de su artefacto de refrigeración.

1. No instale el artefacto cerca de un electrodoméstico que emita calor (cocina, lavavajillas, etc.), conductos de calefacción y otras fuentes de calor.
2. Instale el producto alejado de la luz solar directa.
3. Verifique que los orificios de ventilación de la rejilla delantera del artefacto ubicada bajo la puerta no estén obstruidos y manténgalos limpios para permitir la evacuación del calor que genera el sistema de refrigeración.
4. Conecte el artefacto a un circuito de alimentación exclusivo (no compartido con otros equipos).
5. Mantenga el compartimiento de almacenamiento relativamente lleno; el artefacto funcionará durante menos tiempo que con el compartimiento vacío.
6. Reduzca al mínimo la cantidad de veces que abre la puerta y el tiempo en que esta permanece abierta.
7. Utilice la temperatura de consigna más cálida que se adapte a sus preferencias personales y que ofrezca el almacenamiento más adecuado para sus productos.
8. Al salir de vacaciones o estar fuera de la casa durante períodos prolongados, ajuste el artefacto a la mayor temperatura aceptable para el contenido almacenado y eleve el brazo de gancho de la máquina de hielo para interrumpir la producción de hielo.
9. Si la limpieza del artefacto requiere que la puerta permanezca abierta durante un período prolongado, ajuste el control a la posición de apagado "Off".

# ALINEACIÓN DE LA PUERTA Y SOLICITUD DE SERVICIO TÉCNICO

## Para alinear la puerta, ya sea maciza o de vidrio, proceda como se indica a continuación:

La puerta debe estar paralela a los laterales y a la parte superior del artefacto. En caso de que la puerta necesite ser alineada, afloje los 2 tornillos que aseguran el soporte de ajuste de la puerta en su parte inferior (vea la Figura 14a) y ajuste la puerta de lado a lado. Utilice una llave allen de 5/32" para este procedimiento (vea la Figura 14 abajo). Cuando haya terminado la alineación de la puerta, apriete bien los tornillos.

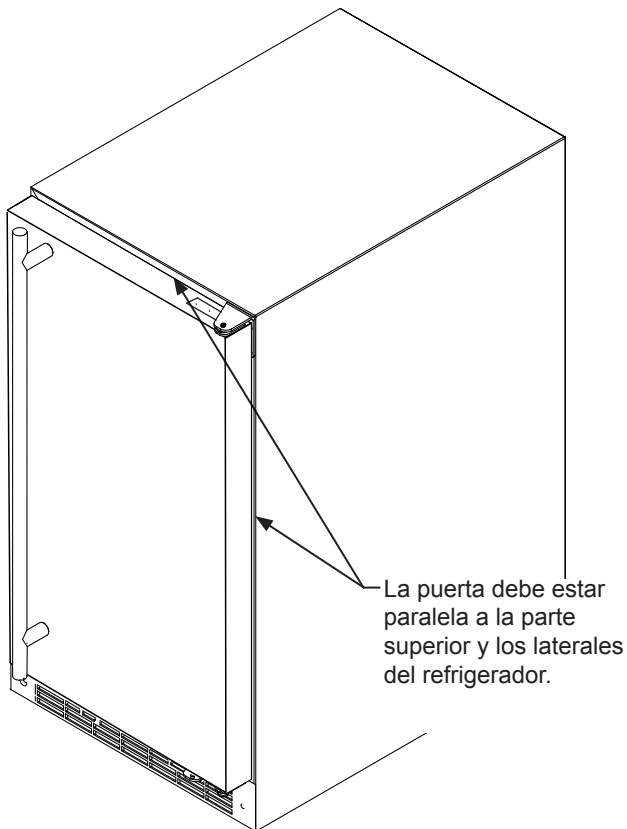


Figura 14

## Si necesita asistencia técnica tenga en cuenta lo siguiente:

- Si aún no ha finalizado el primer año del período de garantía del producto, comuníquese con su distribuidor o llame al servicio de atención al cliente de AGA MARVEL al teléfono 800.223.3900 para solicitar instrucciones sobre cómo obtener cobertura por garantía en su localidad.
- Si el período de garantía de un año ha caducado, el servicio de atención al cliente de AGA MARVEL puede recomendarle un centro de servicios técnicos cercano a su domicilio. También puede encontrar la lista de los centros de servicio técnico autorizados en la sección Servicio y asistencia técnica (Service and support) en la página de Internet [www.agamarvel.com](http://www.agamarvel.com).
- En toda correspondencia referida a asistencia técnica, no olvide incluir el número de servicio, el número de serie y la prueba de compra de la unidad.
- Trate de obtener toda la información posible o la descripción del problema, cuánto tiempo ha estado en funcionamiento el artefacto, la temperatura de la habitación y cualquier otra información adicional que pueda ser de utilidad para resolver rápidamente el problema.
- La Tabla 'A' se suministra para registrar la información correspondiente a su producto para consultas futuras.

Para su registro	
Fecha de la compra	
Nombre del distribuidor	
Dirección del distribuidor	
Ciudad	
Estado	
Código postal	
Número de serie del artefacto	
Número de servicio del artefacto	
Fecha en la que envió la tarjeta de la garantía (debe ser dentro de los 10 días de la compra).	

Tabla A

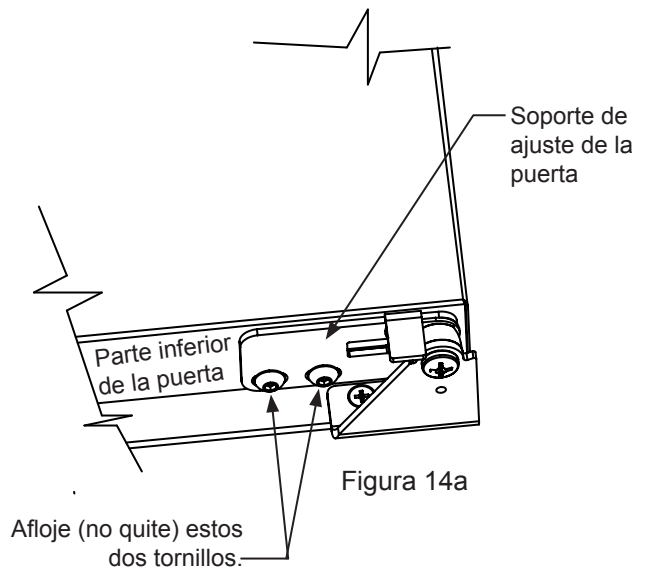


Figura 14a

## LOCALIZACIÓN DE FALLAS

### Antes de llamar al servicio técnico siga estos consejos

Si el artefacto parece estar funcionando mal, lea primero este manual. Si el problema persiste, vea la guía de localización de fallas incluida a continuación. Antes de llamar al servicio técnico, localice el problema en la guía y consulte su causa y su solución. Tal vez el problema sea algo muy simple que puede resolverse sin llamar al servicio técnico. Sin embargo, puede ser necesario ponerse en contacto con su distribuidor o con un técnico de servicio calificado.



### ADVERTENCIA

#### Peligro de electrocución

- Nunca intente reparar o realizar tareas de mantenimiento en el artefacto sin haberlo previamente desconectado de la alimentación eléctrica. Apagar el artefacto desde el control no desconecta la corriente eléctrica de los cables del artefacto.
- Vuelva a colocar todas las piezas y paneles antes de poner en funcionamiento.

Problema	Causa posible	Solución
La unidad funciona pero produce poco o nada de hielo.	<ul style="list-style-type: none"> <li>• La unidad acaba de arrancar, o ha funcionado durante menos de 24 horas.</li> <li>• El suministro de agua no está abierto.</li> <li>• La presión del suministro de agua a la unidad es inadecuada.</li> <li>• El brazo de corte de la máquina de hielo está en su posición extrema superior (Apagado).</li> <li>• La sección del congelador no ha alcanzado la temperatura correcta.</li> <li>• Control del termostato ajustado a una temperatura demasiado alta.</li> <li>• La circulación de aire del ventilador del condensador está restringida.</li> <li>• La temperatura ambiente y/o la del agua son demasiado altas.</li> </ul>	<ul style="list-style-type: none"> <li>• La producción de hielo normal es de 6 a 7 libras por día. Espere a que la sección del congelador alcance la temperatura correcta, y que la máquina de hielo haga ciclos y acumule hielo.</li> <li>• Abra el suministro de agua a la unidad.</li> <li>• La presión de agua para la unidad debe ser de 20 psi como mínimo.</li> <li>• Cuando el brazo de corte de la máquina de hielo está en la posición extrema superior, la máquina de hielo está apagada. Gire el brazo hacia abajo para encender la máquina de hielo.</li> <li>• Espere a que la sección del congelador alcance la temperatura correcta.</li> <li>• Gire el control de temperatura hasta un número mayor, para que la unidad funcione más fría. Espere 24 horas antes de volver a ajustar el control de temperatura.</li> <li>• Asegúrese de que la rejilla del frente de la unidad esté libre y abierta para la circulación de aire. Se requiere que la rejilla esté limpia.</li> <li>• Traslade la unidad a un lugar en el que la temperatura ambiente sea menor de 90 °F. La unidad no debe colocarse cerca de una fuente de calor, como por ejemplo un horno. Revise la conexión de agua fría.</li> </ul>
Cubos de hielo pequeños	<ul style="list-style-type: none"> <li>• Puede que se necesite ajustar la entrada de agua.</li> </ul>	<ul style="list-style-type: none"> <li>• Debido a las presiones de agua diferentes, puede que se necesite ajustar la entrada de agua a la máquina de hielo. Comuníquese con un técnico de servicio calificado.</li> </ul>
Los cubos de hielo se adhieren entre sí.	<ul style="list-style-type: none"> <li>• El consumo de hielo es bajo.</li> <li>• Cubos de hielos huecos con un centro líquido, que se rompen cuando se dispensan en la cubeta.</li> </ul>	<ul style="list-style-type: none"> <li>• Si se almacena el hielo durante períodos prolongados, quedará adherido.</li> <li>• Falla de funcionamiento de la máquina de hielo: llame al servicio técnico.</li> </ul>

## LOCALIZACIÓN DE FALLAS

Problema	Causa posible	Solución
Unidad demasiado caliente o demasiado fría en su interior.	<ul style="list-style-type: none"> <li>• Control ajustado en un valor demasiado caliente o demasiado frío</li> <li>• La temperatura del contenido no se ha estabilizado.</li> <li>• Uso excesivo o aperturas prolongadas de la puerta</li> <li>• Obstrucción del flujo de aire en la rejilla delantera.</li> <li>• La junta de la puerta no sella correctamente.</li> </ul>	<ul style="list-style-type: none"> <li>• Ajuste a una temperatura más fría. Espere 24 horas hasta que la temperatura se estabilice.</li> <li>• Deje que la temperatura se estabilice por al menos 24 horas.</li> <li>• El flujo de aire por la rejilla delantera no debe estar obstruido. Vea “Espacios libres” en la página 4.</li> <li>• Revise la alineación de la puerta y/o reemplace la junta de la puerta.</li> </ul>
Ruido o vibración.	<ul style="list-style-type: none"> <li>• El artefacto está desnivelado.</li> <li>• Vibración del tubo de agua.</li> </ul>	<ul style="list-style-type: none"> <li>• Nivele el artefacto, vea “Patas niveladoras” en la página 4.</li> <li>• Ajuste el tubo según sea necesario para eliminar las vibraciones indeseadas.</li> </ul>
El artefacto no funciona.	<ul style="list-style-type: none"> <li>• El artefacto está apagado.</li> <li>• El cordón de alimentación no está enchufado.</li> <li>• No hay energía en la toma de corriente.</li> </ul>	<ul style="list-style-type: none"> <li>• Encienda la unidad. Vea “Ajuste del control de temperatura” en la página 7.</li> <li>• Enchufe el cordón de alimentación.</li> <li>• Revise el circuito de la casa.</li> </ul>
La humedad se acumula en la superficie exterior del gabinete.	<ul style="list-style-type: none"> <li>• Condiciones calientes y húmedas.</li> </ul>	<ul style="list-style-type: none"> <li>• Las condiciones extremadamente calientes y húmedas pueden causar condensación en la parte exterior del gabinete. A medida que la humedad y/o temperatura disminuyen, la condensación desaparecerá.</li> </ul>
La humedad se acumula en el interior de la unidad.	<ul style="list-style-type: none"> <li>• Demasiadas aperturas de la puerta.</li> <li>• Aperturas prolongadas de la puerta.</li> <li>• Condiciones calientes y húmedas.</li> </ul>	<ul style="list-style-type: none"> <li>• Limite la cantidad de aperturas de la puerta.</li> <li>• Limite la cantidad de tiempo con la puerta abierta.</li> <li>• Condiciones extremadamente calientes y húmedas. Traslade la unidad a un ambiente controlado.</li> </ul>

# GARANTÍA DE PRODUCTOS ELECTRODOMÉSTICOS

## Para el producto completo

### Un año de garantía limitada sobre piezas y mano de obra del producto completo

AGA MARVEL garantiza el suministro de todas las piezas y la mano de obra necesarias para reparar o reemplazar en el domicilio u oficina del usuario cualquier componente en el que se haya comprobado la presencia de defectos, sea por materiales o por mano de obra, de acuerdo a las condiciones y exclusiones establecidas más adelante, durante un período de un año a partir de la fecha de compra del usuario final.

### Garantía limitada adicional exclusivamente sobre piezas entre el segundo y quinto años

Durante los cuatro años siguientes a la finalización del período de garantía limitada de un año, AGA MARVEL garantiza el suministro de piezas de repuesto para el sistema de refrigeración sellado herméticamente, compuesto por compresor, condensador, secador, acumulador, válvula de derivación, tuberías de conexión y evaporador, en las que se compruebe la presencia de defectos de mano de obra o materiales, de acuerdo a las condiciones y exclusiones establecidas más adelante.

Las garantías anteriores no cubren lo siguiente:

- Costos de transporte de los repuestos o piezas defectuosas devueltas.
- Capacitación del cliente o instrucciones sobre el uso del artefacto.
- Cualquier pérdida del contenido debido a una falla del producto.
- Remoción o instalación del producto.

Ninguna de las garantías que se indican cubren las fallas de este producto o de sus componentes debido a:

- Transporte o daños subsiguientes.
- Uso comercial o usos distintos de aquellos normales para un equipo para uso en el hogar u oficina pequeña.
- Instalación inadecuada, uso indebido, abuso, accidente o alteración, conexión a una instalación eléctrica que no cumple con los códigos eléctricos, bajo o alto voltaje, fallas por falta del mantenimiento necesario o por otros usos distintos a aquel para el cual fue diseñado el artefacto.

## Piezas o servicios

### No provistos o designados por AGA MARVEL

Las garantías indicadas tampoco serán de aplicación si:

- No se pudiesen verificar la factura original de compra, la fecha de entrega o el número de serie de la unidad.
- Las piezas defectuosas no son devueltas para inspección si así fue solicitado por AGA MARVEL.
- El poseedor del equipo de refrigeración no es el comprador original del producto.

Las garantías establecidas de aquí en más son las únicas garantías extendidas por AGA MARVEL. Toda garantía implícita, incluso la garantía implícita de comerciabilidad, está limitada a la duración de estas garantías expresas. En ningún caso AGA MARVEL será responsable por cualesquiera daños emergentes o incidentales, ni por gastos por incumplimiento de estas o cualesquiera otras garantías, sean expresas o implícitas.

Algunos estados (dentro de los Estados Unidos de América) no permiten la exclusión o limitación de daños emergentes o una limitación en el tiempo de validez de una garantía implícita, por lo que la exclusión o limitación anterior podría no ser aplicable para usted. Esta garantía le brinda derechos legales específicos y usted podría tener otros derechos que pueden variar de un estado a otro (dentro de los Estados Unidos de América).

Ninguna persona, firma o corporación está autorizada a ofrecer cualquier otra garantía o asumir cualquier otra obligación en nombre de AGA MARVEL. Estas garantías se aplican únicamente a productos utilizados en cualesquier de los cincuenta estados de los Estados Unidos de Norteamérica y en el Distrito de Columbia.

Para obtener el servicio amparado por esta garantía, informe de cualquier defecto a:

### **AGA MARVEL**

1260 E. VanDeinse St.  
Greenville MI 48838

Phone: 800.223.3900





[www.agamarvel.com](http://www.agamarvel.com)

**AGA MARVEL**

1260 E. VanDeinse St.  
Greenville MI 48838

800.223.3900

41013942-SP Rev A  
5/13/15

Todas las especificaciones y diseños del producto están sujetos a cambios sin aviso previo. Las revisiones del producto no le otorgan al comprador el derecho a cambios, mejoras, accesorios adicionales, reemplazos o compensaciones por los productos previamente comprados.